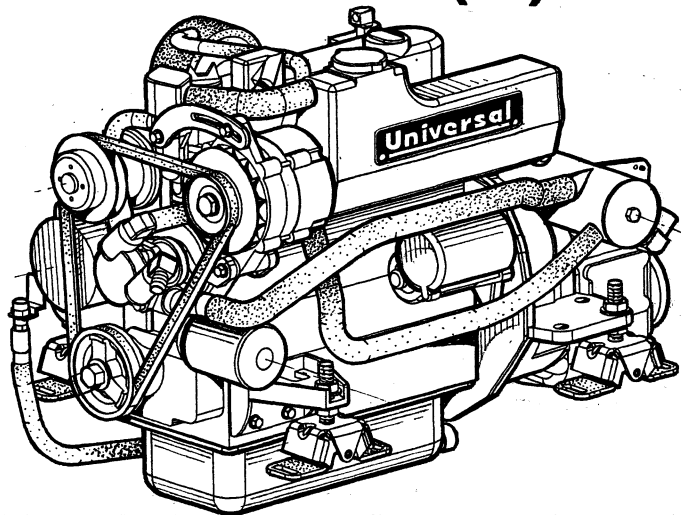


Universal

MARINE DIESEL ENGINES PARTS LIST

M-35A (C)



PUBLICATION NO. 201097 REV. 0 JUNE 2015

Universal
MARINE POWER

WESTERBEKE CORPORATION • MYLES STANDISH INDUSTRIAL PARK
150 JOHN HANCOCK ROAD, TAUNTON, MA 02780-7319 U.S.A.
TEL: (508) 823-7677 • FAX: (508) 884-9688 • Website: www.westerbeke.com

 Member National Marine Manufacturers Association

TABLE OF CONTENTS

CRANKCASE ASSEMBLY	2
CYLINDER HEAD ASSEMBLY	4
PISTON, CRANKCASE ASSEMBLY	5
MAIN BEARING CASE ASSEMBLY	6
CAMSHAFT ASSEMBLY	7
VALVE ROCKER ASSEMBLY	8
OIL PAN ASSEMBLY	10
FLYWHEEL GROUP	12
HEAD COVER ASSEMBLY	13
GEAR CASE ASSEMBLY	14
NOZZLE HOLDER ASSEMBLY	16
NOZZLE HOLDER	18
WATER PUMP ASSEMBLY	19
FUEL CAMSHAFT ASSEMBLY	20
ENGINE STOP LEVER ASSEMBLY	22
GOVERNOR ASSEMBLY	24
SPEED CONTROL PLATE ASSEMBLY	25
WATER FLANGE ASSEMBLY	26
INLET MANIFOLD ASSEMBLY	28
HEAT EXCHANGER ASSEMBLY	29
ELECTRICAL SYSTEM	30
ELECTRICAL SYSTEM	32
RAW WATER PUMP	34
BELL HOUSING AND TRANSMISSION	36
ALTERNATOR ASSEMBLY	38
TRANSMISSION SHIFTING BRACKET	39
INSTRUMENT PANELS	40
THROTTLE BRACKET ASSEMBLY	42
FUEL FILTER ASSEMBLY	43
MISCELLANEOUS	44

ORDERING PARTS

When ordering parts, please specify the engine's serial number and model number that are located on the Universal nameplate mounted to the side of the manifold.

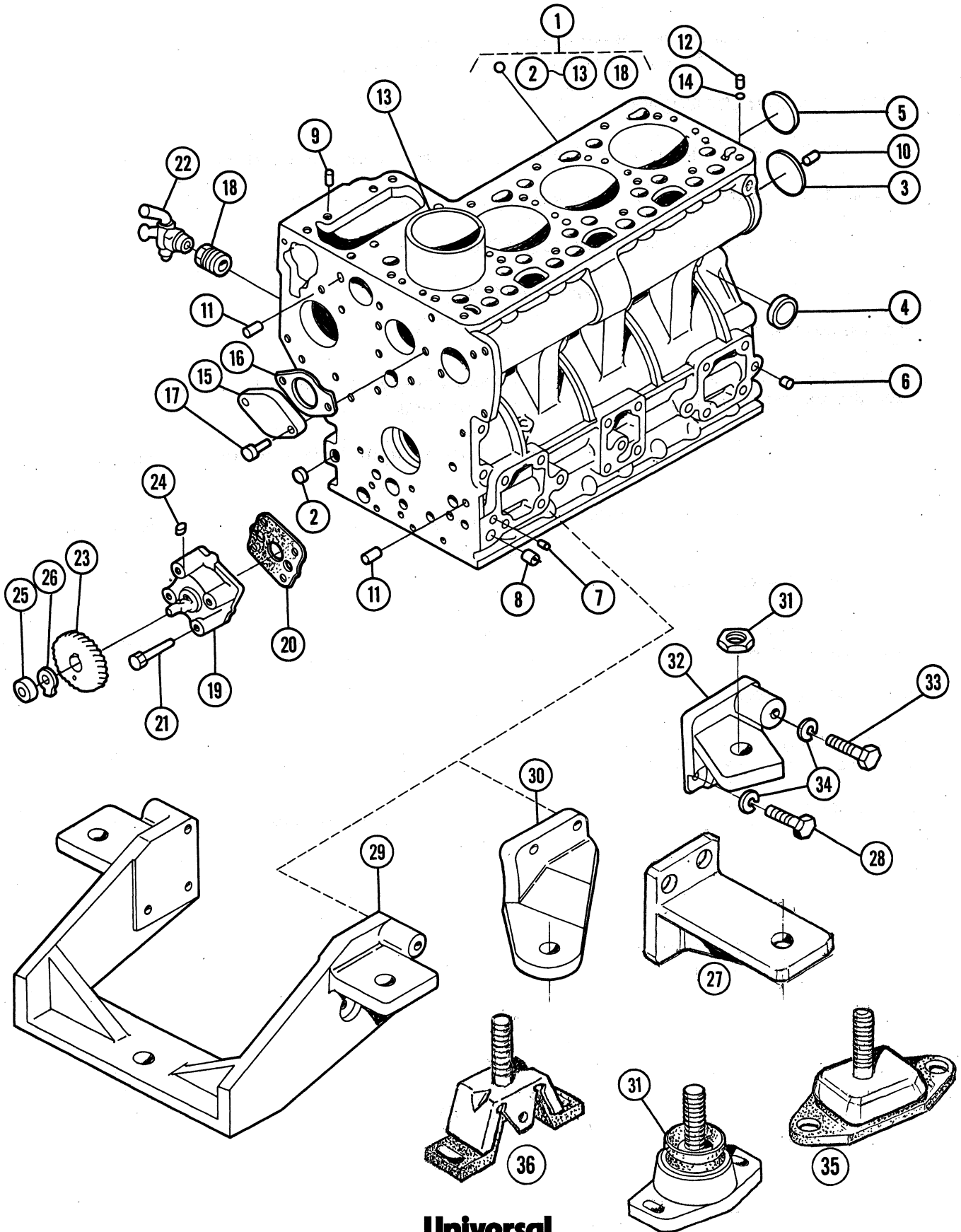


MANUFACTURING DATE CODE

The serial number for your Universal Marine Diesel Engine contains a manufacturing date code at its end. Date codes from 1990 up to 2008 were alpha numeric. The first character representing the decade D=1990s, E=2000s. The three numbers following represent the year in that decade and the month. Example: D311 represents 1993, the month November (11 month). Universal A model Diesel engines were manufactured from 1993-1997.



CRANKCASE ASSEMBLY



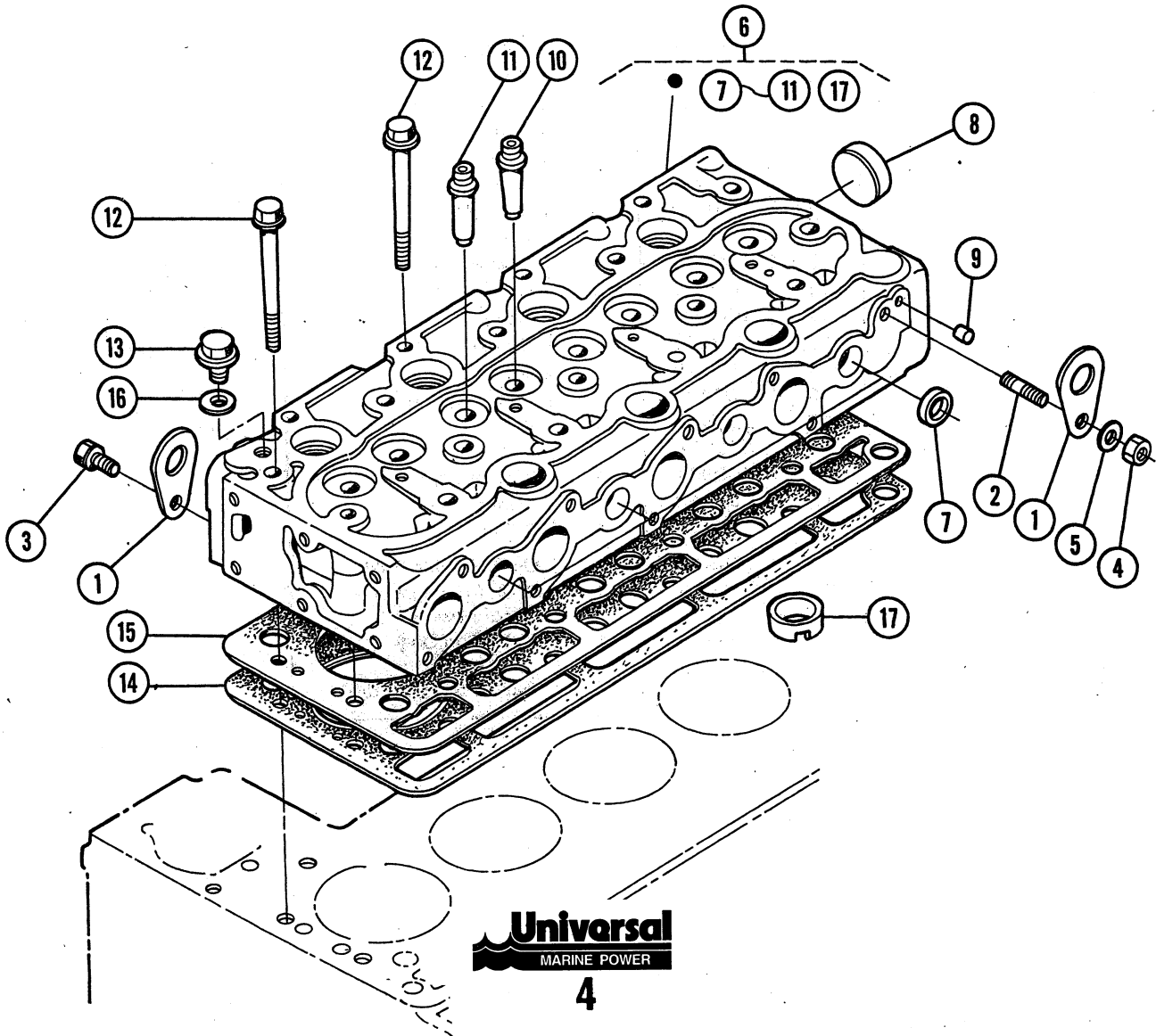
CRANKCASE ASSEMBLY

Item	Part No.	Quantity	Name/Description
1	302427	1	Complete Crankcase NLA
2	302428	3	Plug
3	302429	1	Plug
4	299354	6	Sealing Cap
5	299355	1	Sealing Cap
6	299356	7	Plug
7	299357	3	Plug
8	299358	1	Plug
9	299359	2	Straight Pin
10	299360	2	Straight Pin
11	299354	2	Pipe Pin
12	301485	1	Pipe Pin
13	302272	4	Cylinder Liner
14	299362	1	O-Ring
15	301755	1	Water Cover
16	299364	1	Gasket
17	301256	2	Bolt
18	301486	1	Drain Cock Plug
19	299405	1	Oil Pup Assembly
20	299406	1	Oil Pump Gasket
21	300143	4	Bolt
22	301487	1	Drain Cock
23	299407	1	Pump Drive Gear
24	298758	1	Nut
25	299409	1	Nut
26	299413	1	Washer
27	302969	2	Mount L & R (Catalina)
28	299510	4	Hex Head Cap Screw
29	301057	1	3-4 Point Combination Mount
30	300284	1	Front Port Side Mount 16"
	300286	1	Front Starboard Side Mount 16"
31	032013	2	Flexible Mount With Nuts
32	300961	1	Front Port Side Mount 11½"
	300736	1	Front Starboard Side Mount 11½"
33	298617	2	Hex Head Cap Screw
34	298463	6	Lockwasher
35	036340	2	Flexible Mount with Nuts
36	040510	2	Flexible Mount with Nuts

Note: When ordering Flexible Mounts, items #31, #35 or #36. Refer to the illustrations on the opposite page and compare them with those on your engine to order the correct style.

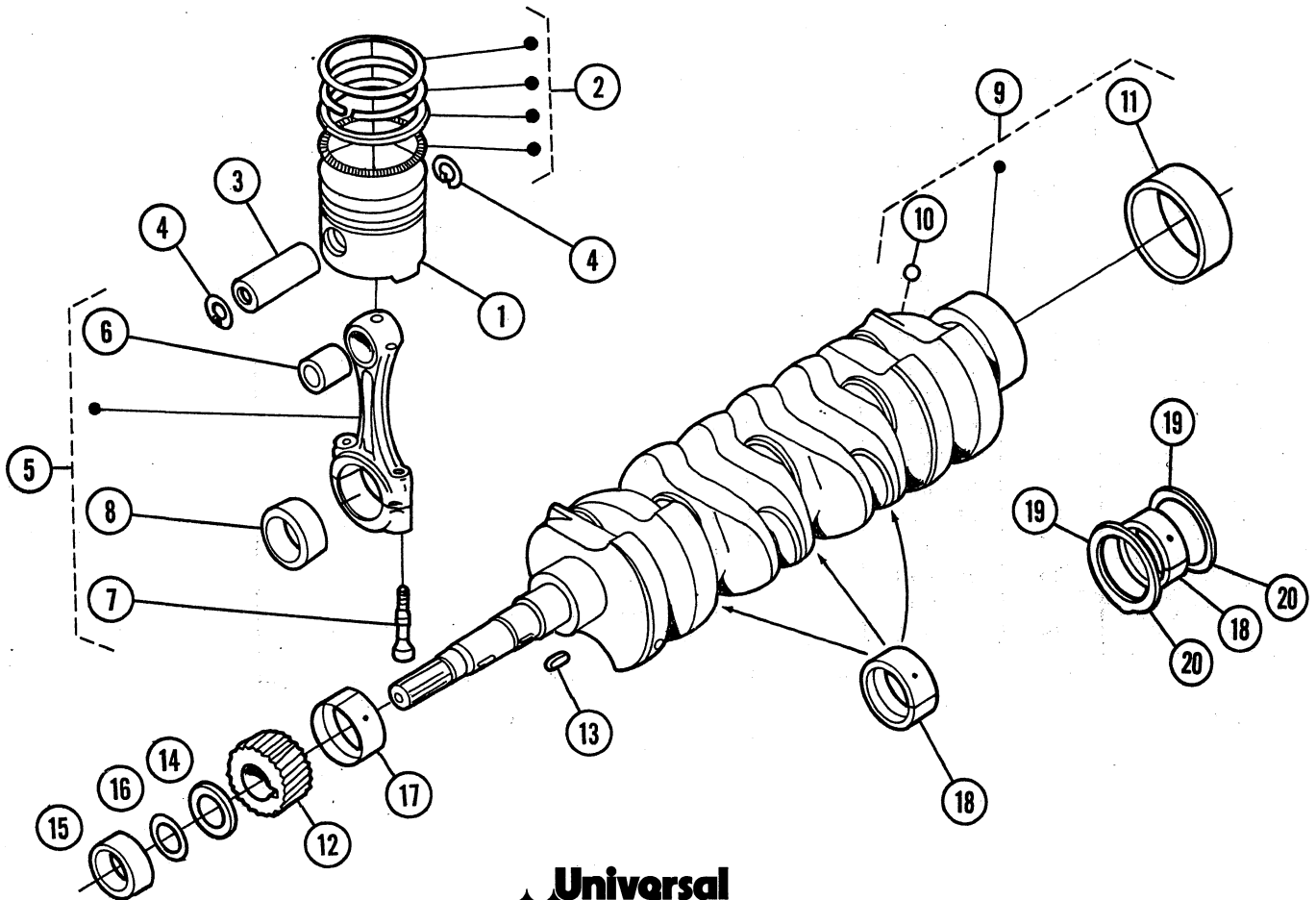
CYLINDER HEAD ASSEMBLY

Item	Part No.	Quantity	Name/Description
1	298666	2	Engine Hook
2	300135	1	Stud
3	299485	1	Bolt
4	301297	1	Nut
5	299583	1	Lockwasher
6	301297	1	Complete Cylinder Head
7	299905	7	Sealing Cap
8	299354	1	Sealing Cap
9	299356	2	Plug
10	299386	4	Intake Valve Guide
11	299394	4	Exhaust Valve Guide
12	300137	18	Cylinder Head Bolt
13	300139	1	Plug
14	302442	1	Cylinder Head Gasket
15	302443	1	Cylinder Head Shim
16	299975	1	Seal Washer
17	299387	4	Combustion Chamber



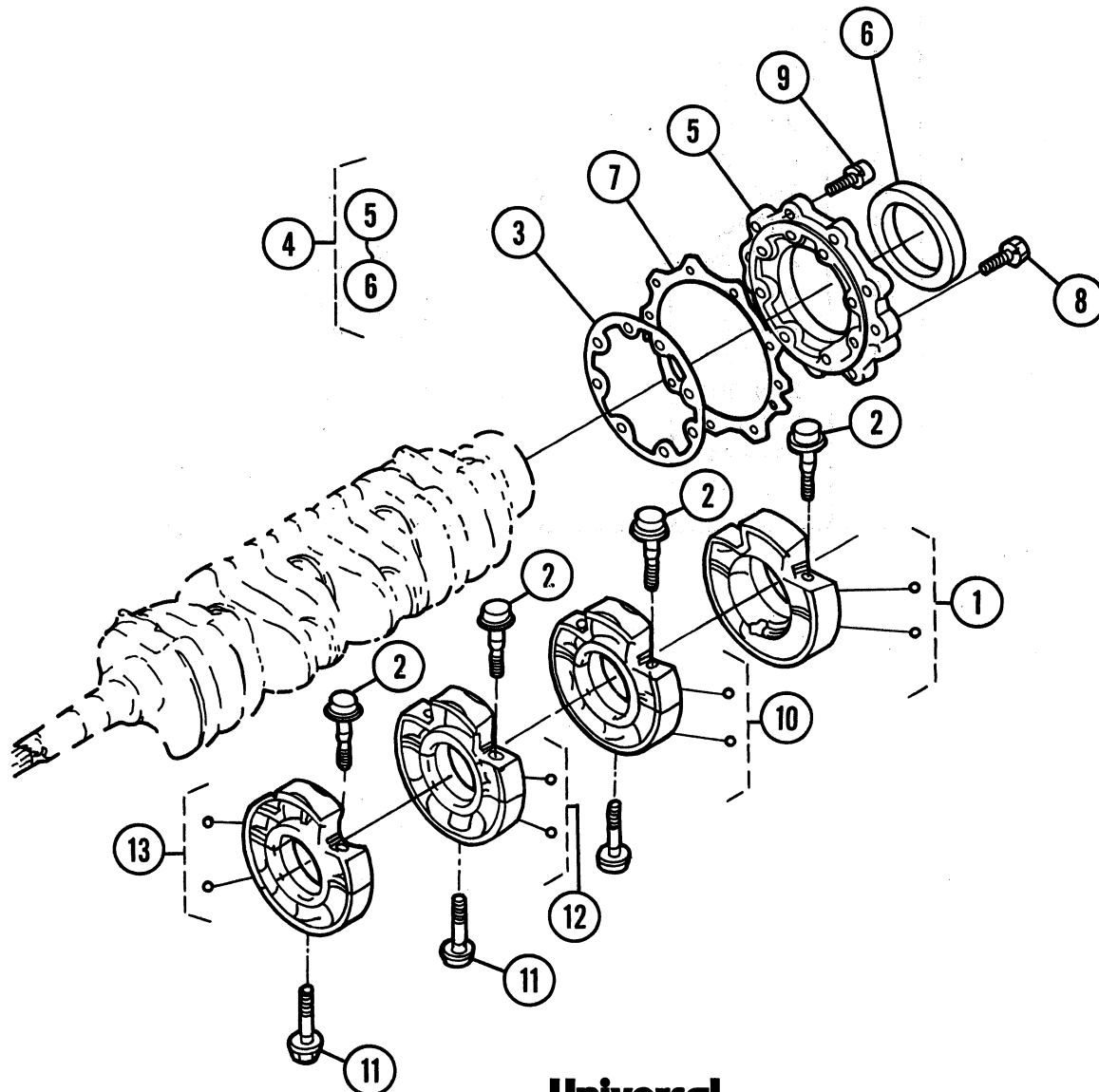
PISTON, CRANKSHAFT ASSEMBLY

Item	Part No.	Quantity	Name/Description
1-1	302186	4	Piston STD
1-2	302466	4	Piston 0.5mm O.S.
2	302467	4	Ring Assembly
3	299489	4	piston Pin
4	299490	8	Circle Clip Piston Pin
5	299491	4	Connecting Rod Assembly
6	301154	4	Piston Pin Bushing
7	302468	8	Connecting Rod Bolt
8	299494	4	Connecting Rod Bearing
9	302469	1	Crankshaft Complete
10	302470	4	Ball
11	300813	1	Crankshaft Sleeve
12	300168	1	Crankshaft Gear
13	299549	1	Key
14	299497	1	Oil Slinger
15	299498	1	Crankshaft Collar
16	299499	1	O-Ring
17	299500	1	Crankshaft Bearing
18	299501	4	Crankshaft Bearing
19	299502	2	Bearing Side
20	299503	2	Bearing Side



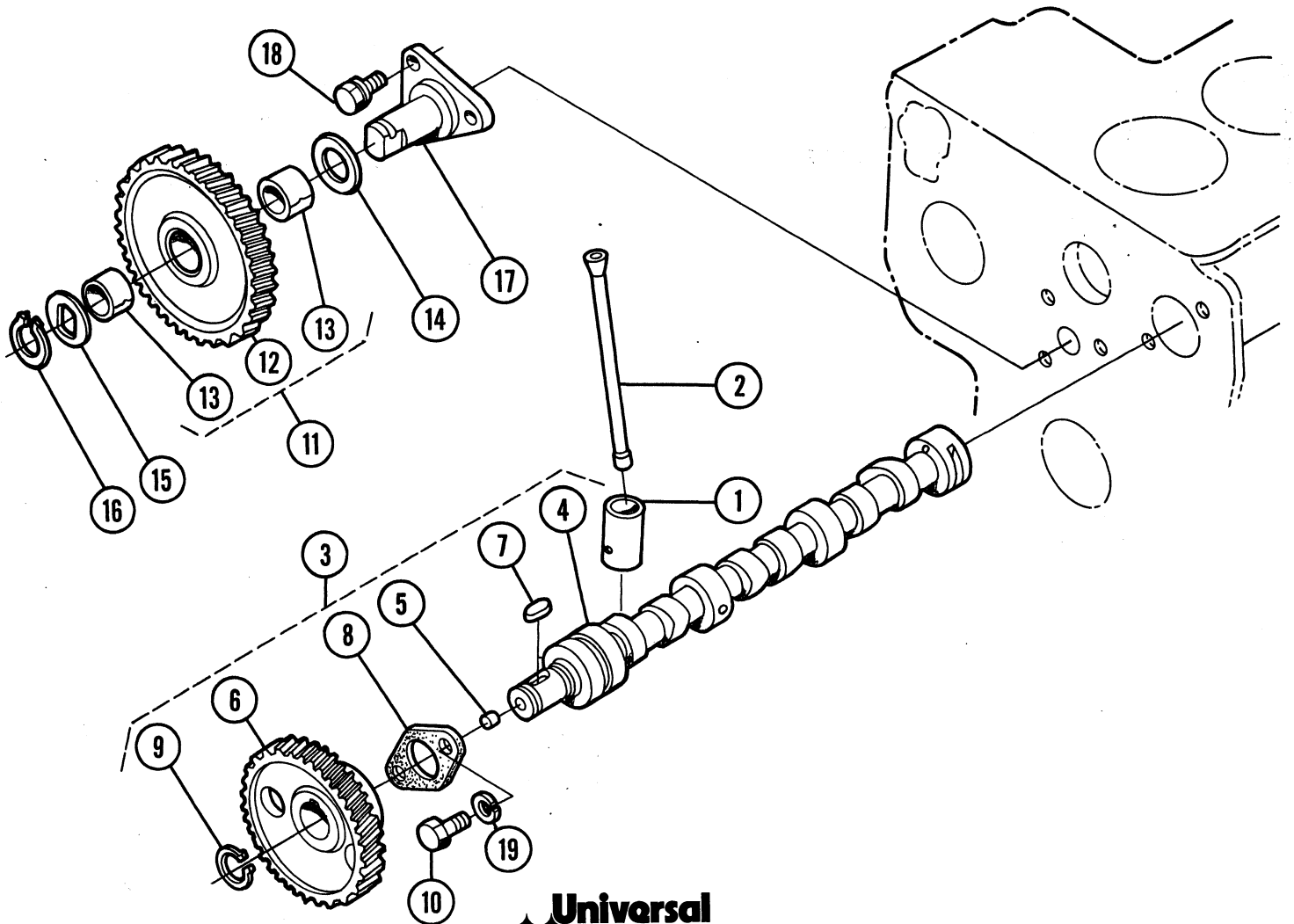
MAIN BEARING CASE ASSEMBLY

Item	Part No.	Quantity	Name/Description
1	299414	1	Main Bearing Case Assembly
2	302444	8	Bearing Case Bolt
3	299417	1	Bearing Case Gasket
4	302445	1	Cover Bearing Gasket Assembly
5	300815	1	Bearing Case Cover
6	302446	1	Oil Seal
7	299418	1	Bearing Case Cover Gasket
8	301230	9	Bolt
9	301601	8	Bolt
10	299420	1	Main Bearing Case Assembly
11	302447	3	Bearing Case Bolt
12	300146	1	Main Bearing Case Assembly
13	302448	1	Main Bearing Case Assembly

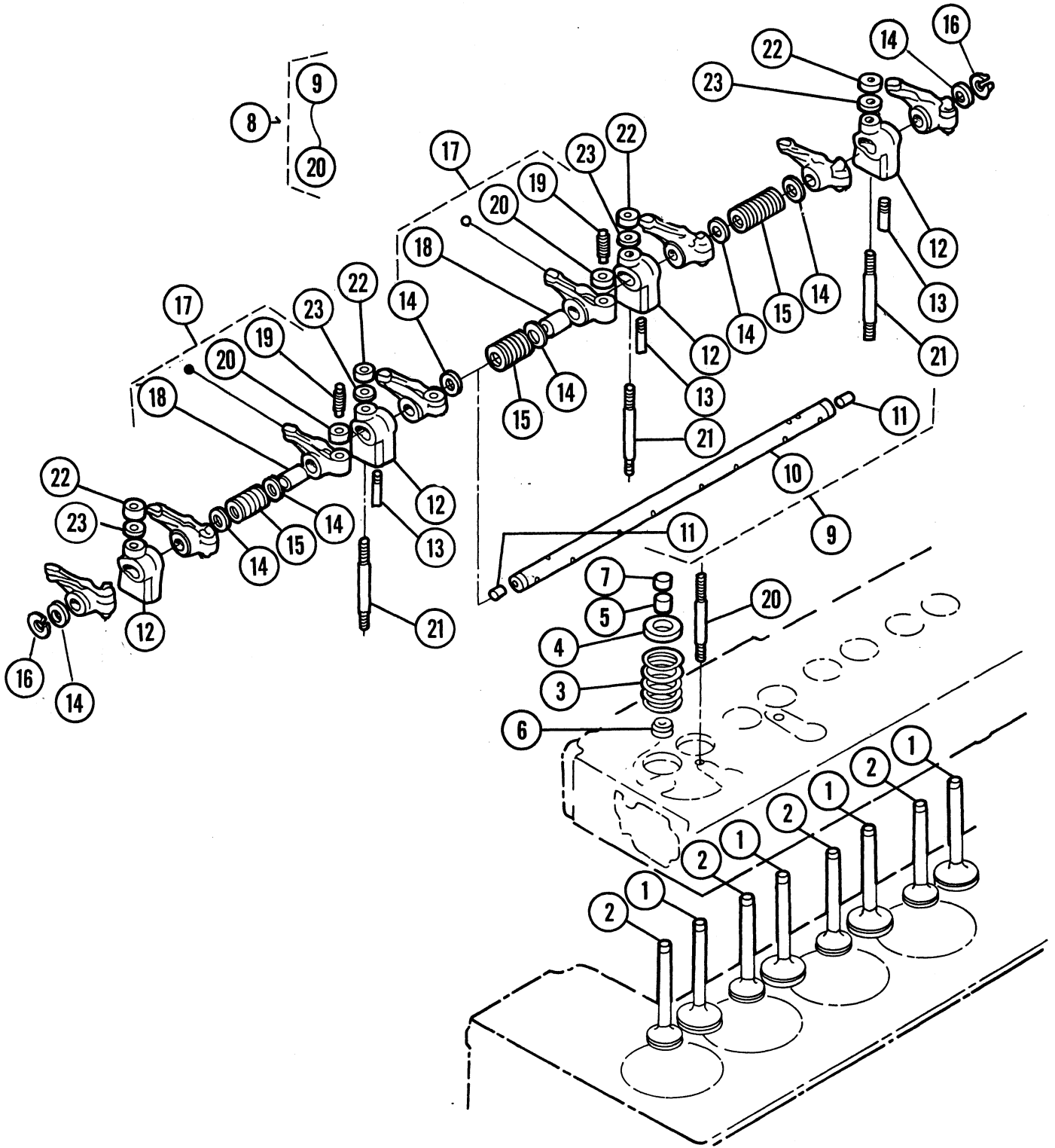


CAMSHAFT ASSEMBLY

Item	Part No.	Quantity	Name/Description
1	299472	8	Tappet
2	299473	8	Push Rod
3	302458	1	Camshaft Assembly
4	302459	1	Camshaft
5	300162	2	Plug
6	299475	1	Camshaft Gear
7	299549	1	Key
8	299477	1	Camshaft Stopper
9	299535	1	External Circle Clip
10	299365	2	Bolt
11	302460	1	Idle Gear Assembly
12			Use #11
13	302461	2	Idle Gear Bushing
14	302462	1	Idle Gear Collar
15	302463	1	Idle Gear Collar
16	302464	1	Circle Clip
17			Use #11
18	299462	3	Bolt



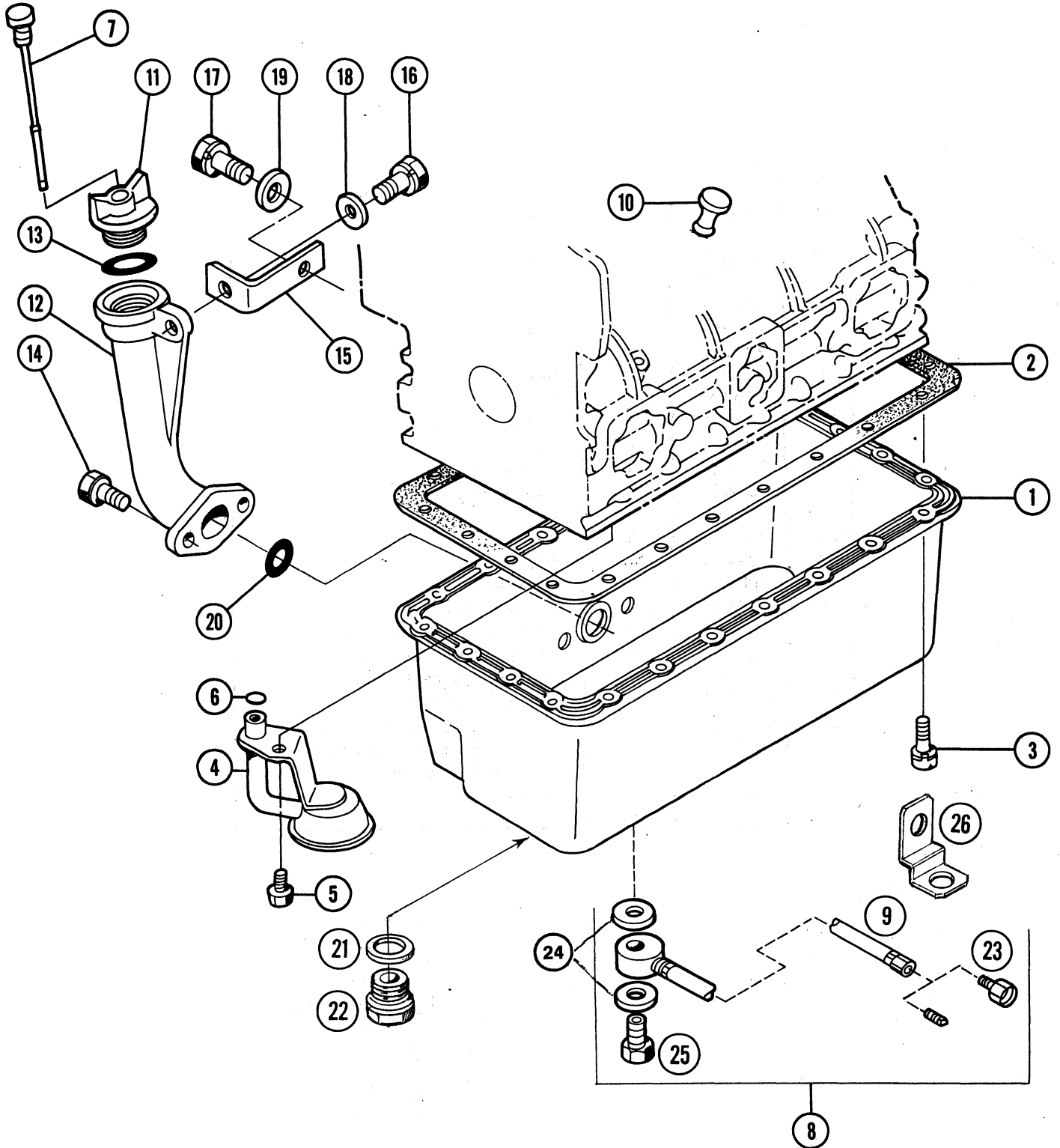
VALVE ROCKER ASSEMBLY



VALVE ROCKER ASSEMBLY

Item	Part No.	Quantity	Name/Description
1	300152	4	Intake Valve
2	300153	4	Exhaust Valve
3	299438	8	Valve Spring
4	302453	8	Valve Spring Retainer
5	299440	16	Valve Spring Collet
6	299441	8	Valve Spring Seal
7	299442	8	Valve Cap
8	302454	1	Rocker Arm Assembly Complete
9	302455	1	Rocker Arm Shaft Assembly
10	302456	1	Rocker Arm Shaft
11	300155	2	Set Screw
12	299444	4	Rocker Arm Bracket
13	299447	1	Set Screw
14	299448	8	Washer
15	299449	3	Rocker Arm Spring
16	299450	2	External Circle Clip
17	300227	8	Rocker Arm Assembly
18	300228	8	Rocker Arm Bushing
19	299453	8	Adjusting Screw
20	299454	8	Nut
21	299455	4	Stud
22	299446	4	Nut
23	300156	4	Plain Washer

OIL PAN ASSEMBLY

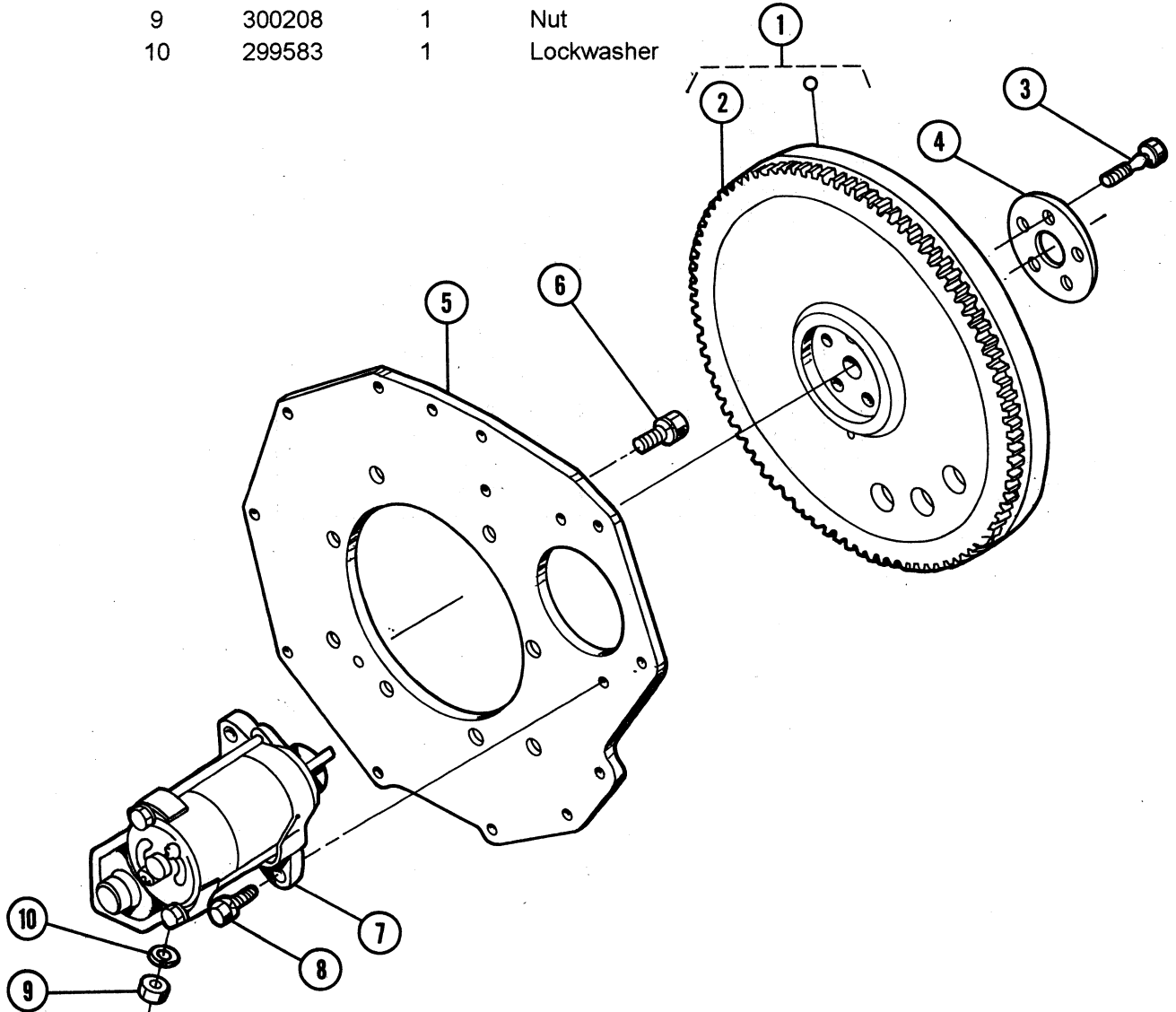


OIL PAN ASSEMBLY

Item	Part No.	Quantity	Name/Description
1	302430	1	Complete Oil Pan
2	302431	1	Oil Pan Gasket
3	399368	22	Bolt
4	300133	1	Oil Pan Filter
5	301294	1	Bolt
6	298647	1	O-Ring
7	302432	1	Oil Gauge
8	200390	1	Oil Drain Hose Assembly
9	030848	1	Drain Hose
10	300207	1	Rubber Plug
11	302434	1	Oil Filler Plug
12	302435	1	Flange
13	302436	1	O-Ring
14	301785	2	Bolt
15	302437	1	Flange Bracket
16	302438	1	Bolt
17	302439	1	Bolt
18	300031	1	Washer Plain
19	302440	2	Washer Plain
20	298740	1	O-Ring
21	300612	1	Oil Drain Plug Gasket
22	301023	1	Drain Plug Adapter
23	024905	1	Cap 1/4 NPT Brass
24	036647	2	Washer Oil Drain Hose
25	036823	1	Banjo Bolt M12X1.25
26	024922	1	Bracket, Drain Hose

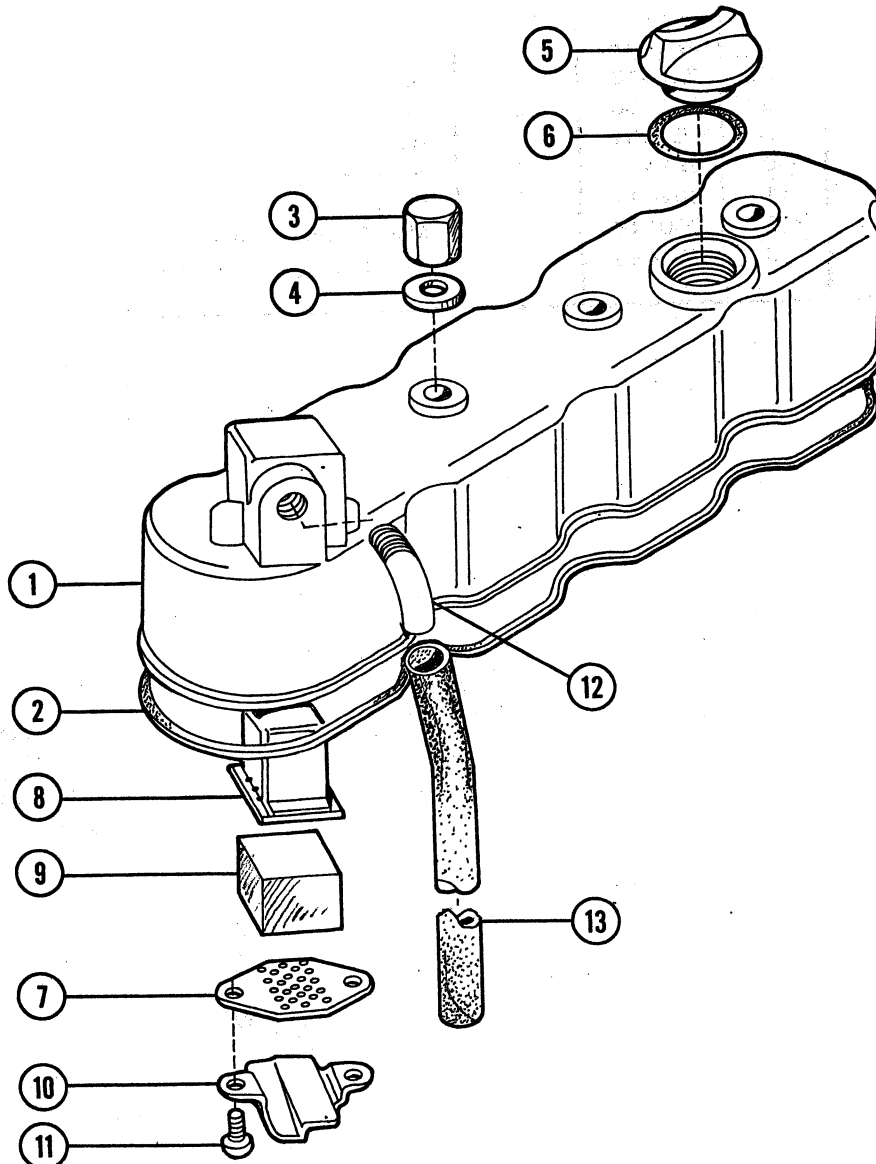
FLYWHEEL GROUP

Item	Part No.	Quantity	Name/Description
1	302471	1	Flywheel Assembly
2	302472	1	Ring Gear
3	302473	5	Flywheel Bolt
4	301570	1	Washer
5	299508	1	End Plate
6	300182	8	Bolt
7	302474	1	Starter Assembly
8	301785	2	Bolt
9	300208	1	Nut
10	299583	1	Lockwasher

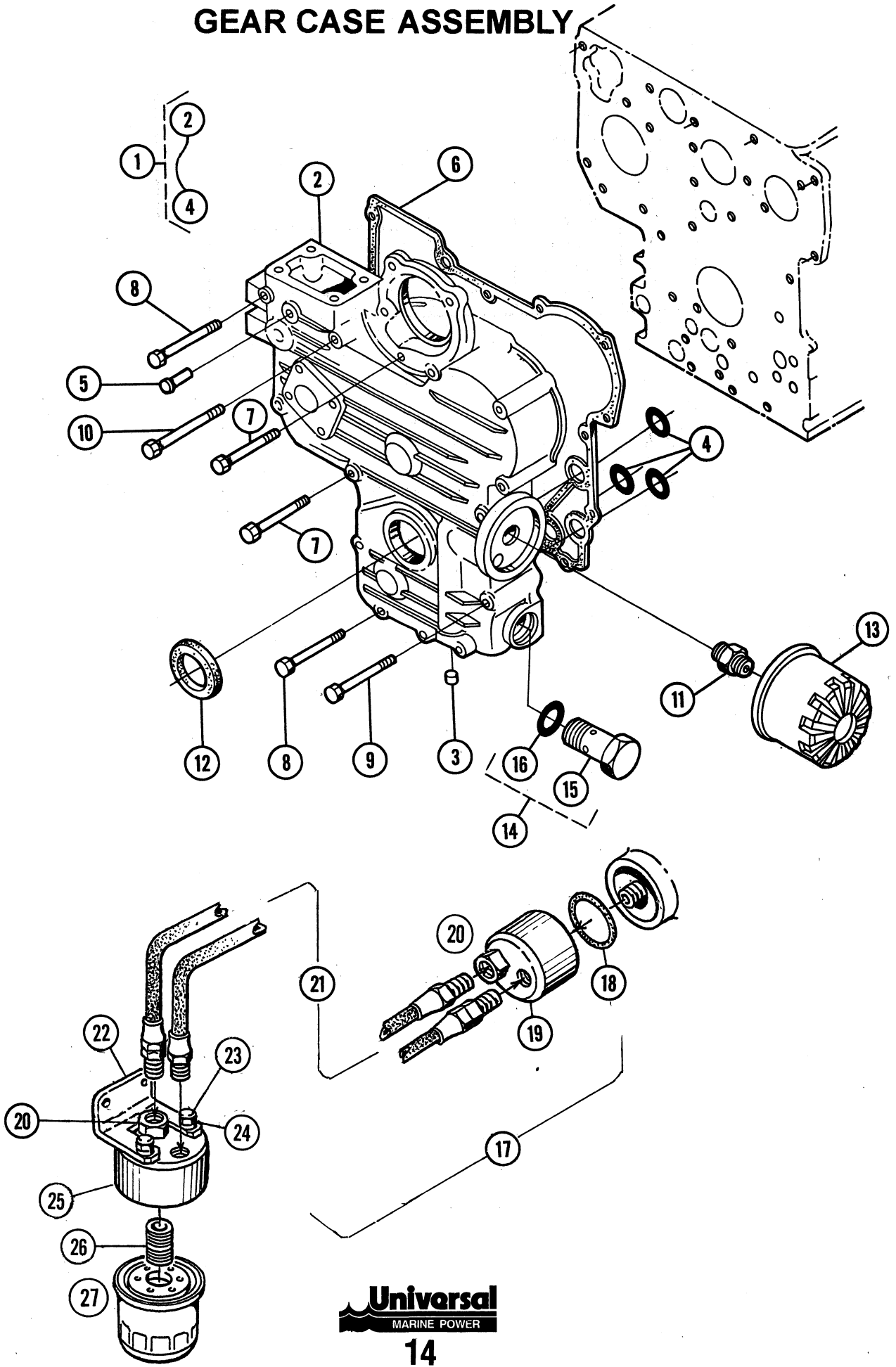


HEAD COVER ASSEMBLY

Item	Part No.	Quantity	Name/Description
1	302449	1	Rocker Arm Cover
2	302450	1	Cover Gasket
3	299457	4	Cap Nut
4	299459	4	Gasket
5	298739	1	Oil Filler Plug
6	298740	1	O-Ring
7	301391	1	Element Plate
8	301392	1	Element Plate
9	300148	1	Breather Element
10	301393	1	Oil Shield
11	301399	2	Washer and Screw
12	299854	1	Breather Pipe Joint
13	301396	1	Breather Pipe



GEAR CASE ASSEMBLY

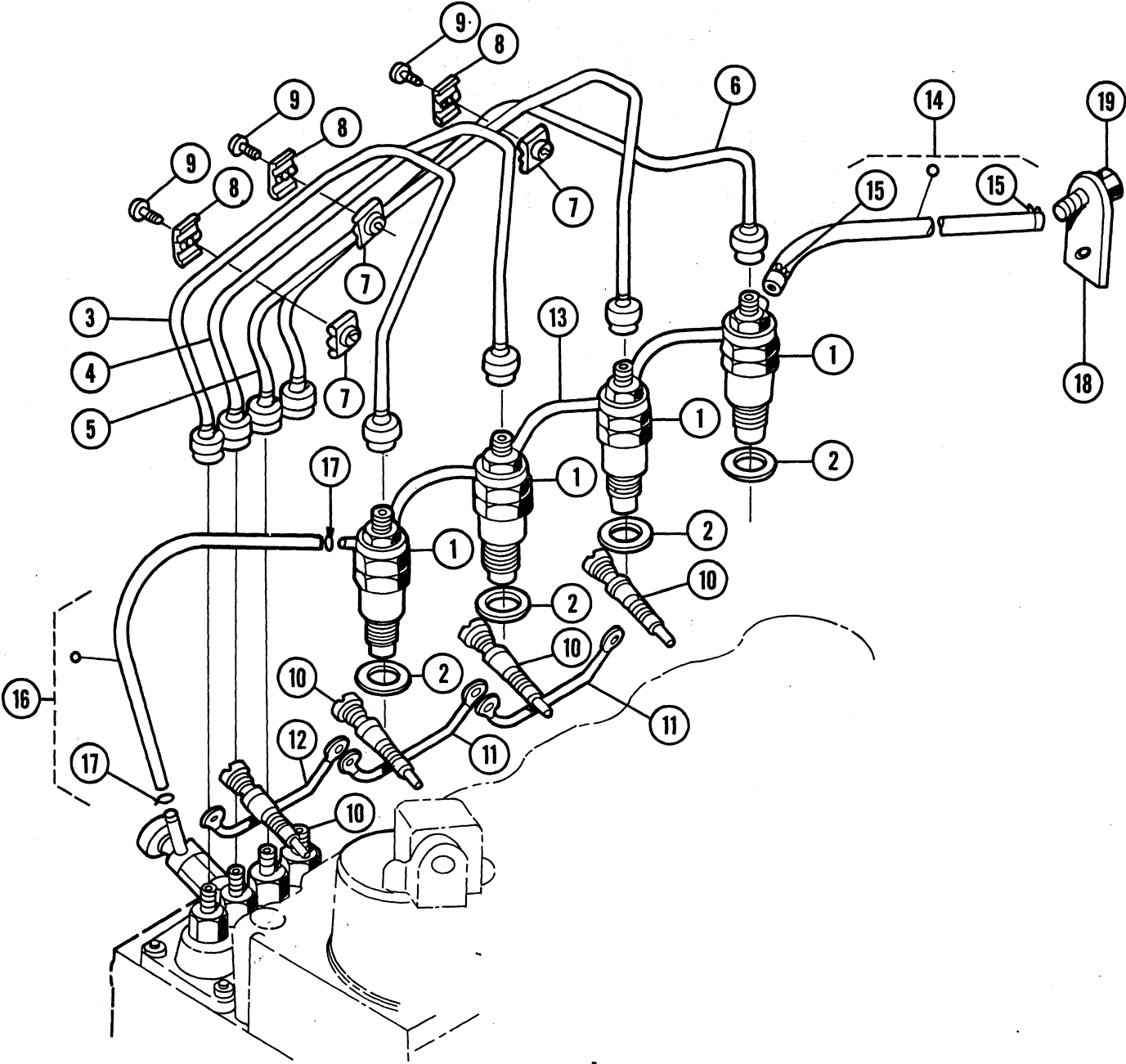


Universal
MARINE POWER

GEAR CASE ASSEMBLY

Item	Part No.	Quantity	Name/Description
1	300140	1	Gear Case Assembly - NLA
2			Use No. 1
3	299395	2	Plug
4	300160	3	O-Ring
5	301489	1	Start Spring Pin
6	300180	1	Gear Case Gasket
7	299399	7	Bolt
8	299400	5	Bolt
9	299401	1	Bolt
10	299401	1	Bolt
11	301490	1	Pipe Joint
12	299404	1	Oil Seal
13	300209	1	Oil Filter
14	299374	1	Relief Valve Assembly
15	————	1	Relief Valve Assembly
16	299376	1	O-Ring
17	040078	1	Filter Kit — Remote Lube Oil - Includes Ref #'s 30-39
18	302842	1	O-Ring
19	040075	1	Adapter — Remote Oil Filter
20	013348	2	Connector — Hose
21	011925	2	Hose — Oil 40 1/4 LG
22	040074	1	Bracket — Remote Oil Filter
23	031503	2	Capscrew — 1/4 NC x 3/4
24	031752	2	Lockwasher — Split 1/4 Med (Steel)
25	040073	1	Adapter — Remote Oil Filter
26	034663	1	Nipple — Oil Filter to Adapter
27	300209	1	Filter — Lube Oil

NOZZLE HOLDER ASSEMBLY

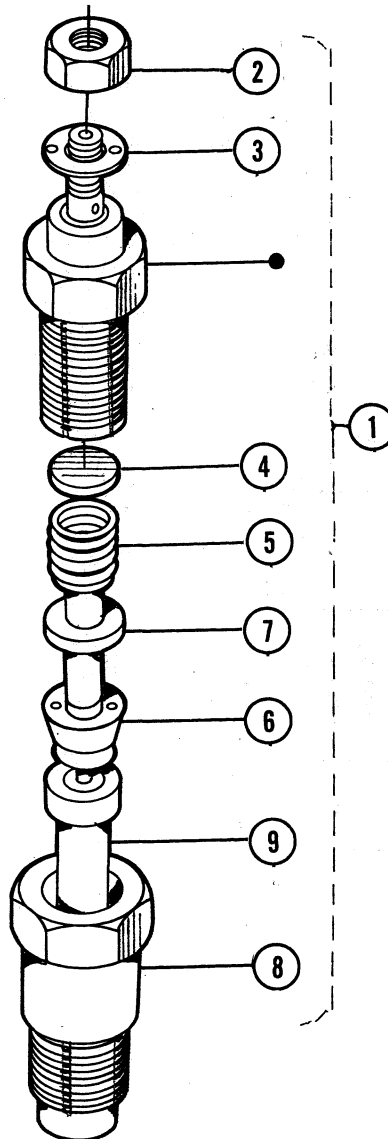


NOZZLE HOLDER ASSEMBLY

Item	Part No.	Quantity	Name/Description
1	302475	4	Injector
2	298789	4	Gasket
3	302478	1	Injection Pipe
4	302477	1	Injection Pipe
5	302478	1	Injection Pipe
6	302479	1	Injection Pipe
7	301306	3	Pipe Clamp
8	301307	3	Pipe Clamp
9	298794	3	Screw & Washer
10	301754	4	Glow Plug
11	299523	2	Glow Plug Wire
12	302480	1	Glow Plug Wire
13	302481	1	Leak - Offline
14	036469	Inch	Over Flow Hose 3/16 I.D.
15	298797	2	Clamp
16	036469	Inch	Hose 3/16 I.D.
17	298797	2	Clamp
18	299828	1	Mounting Bracket
19	299829	1	Fuel Return Connector
20	256747	1	Fuel Return Kit - # 18-19

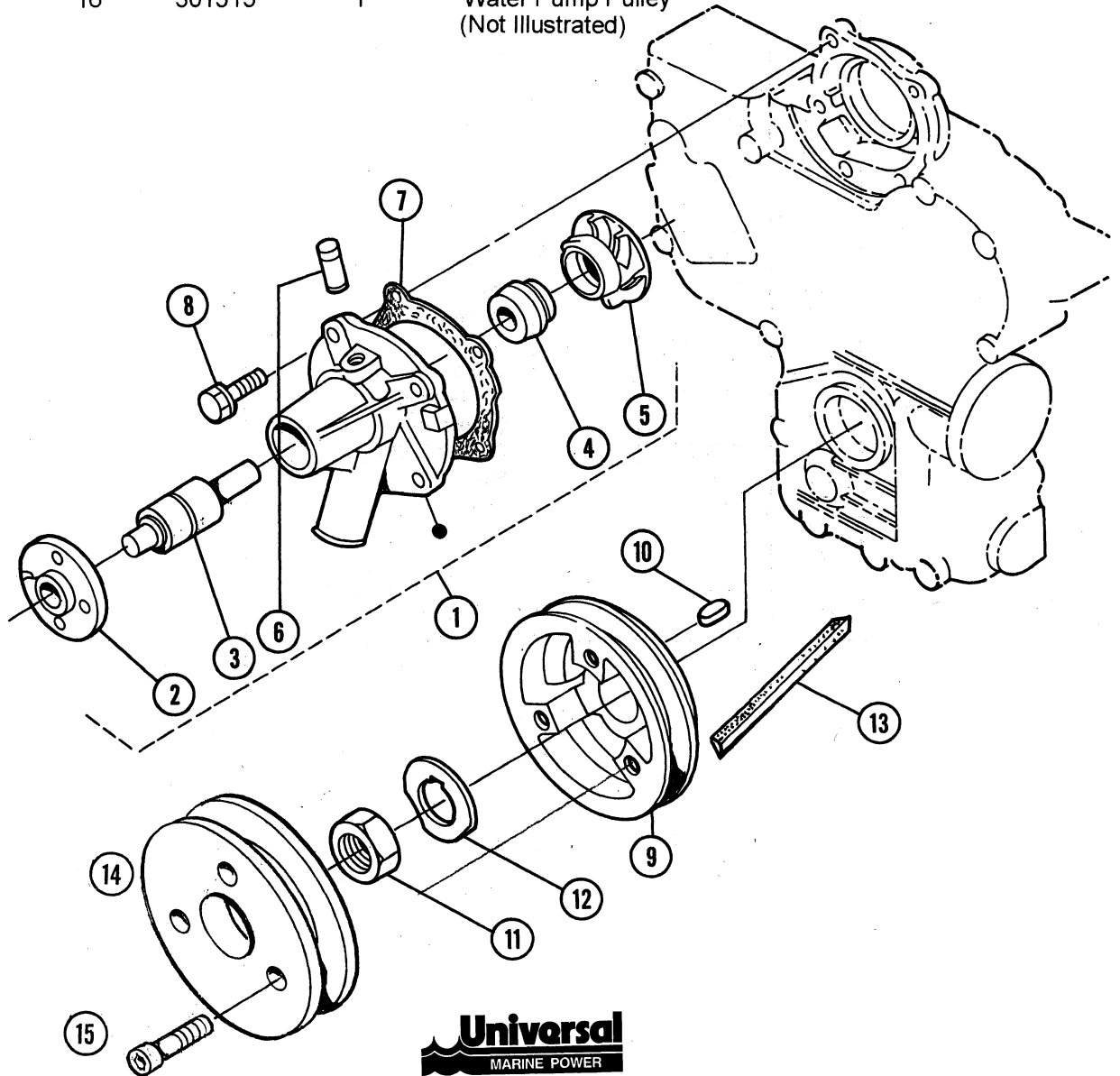
NOZZLE HOLDER ASSEMBLY

Item	Part No.	Quantity	Name/Description
1	302475	4	Injector
2	301508	4	Nut
3	301137	4	Washer
4	301509	4	Adjusting Washer
5	301510	4	Nozzle Spring
6	301511	4	Distance Piece
7	301512	4	Push Rod
8	301513	4	Nozzle Nut
9	301514	4	Nozzle Piece

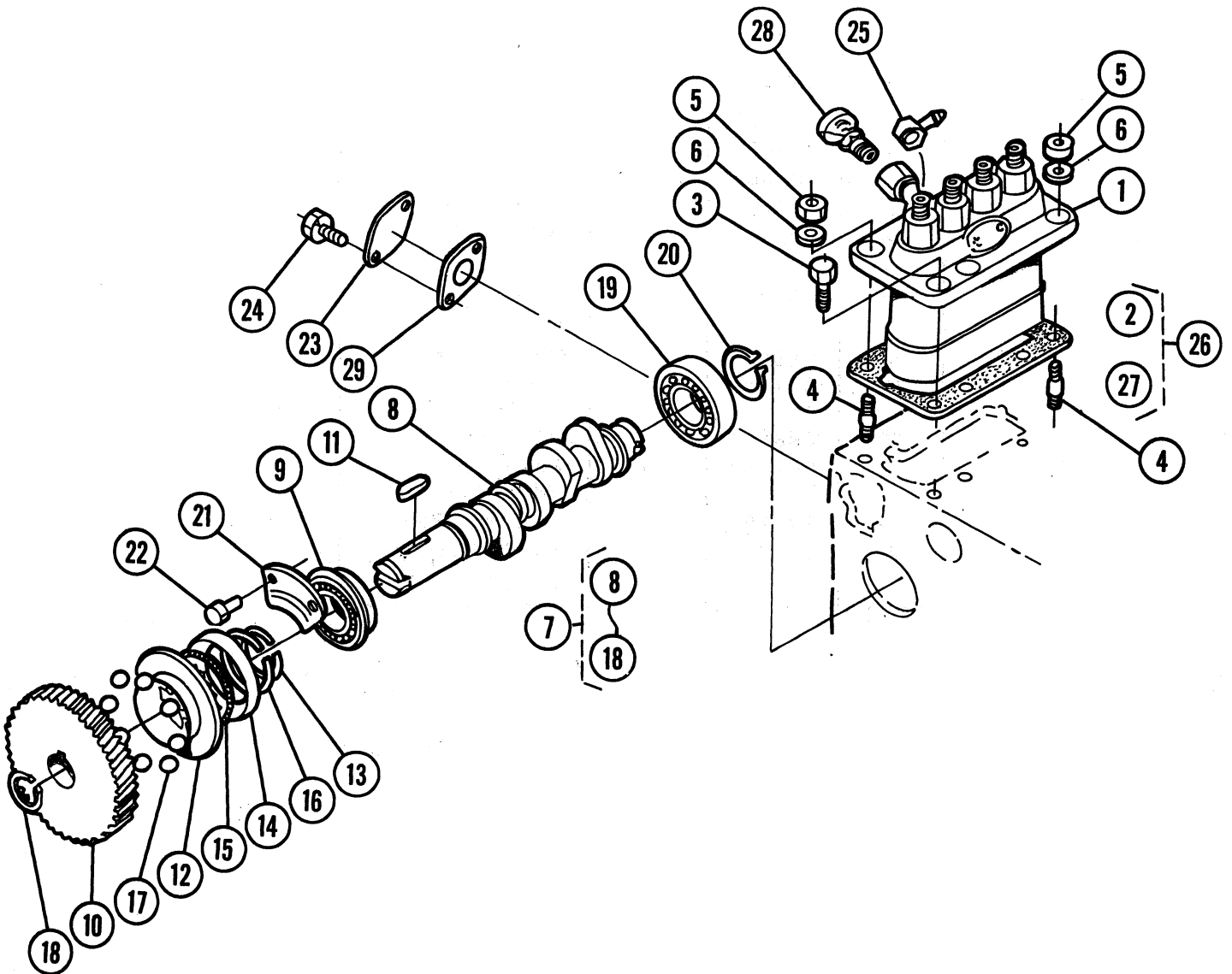


WATER PUMP ASSEMBLY

Item	Part No.	Quantity	Name/Description
1	302503	1	Water Pump Assembly
2	301518	1	Water Pump Flange
3	301158	1	Bearing
4	301159	1	Seal Assembly
5	301160	1	Impeller
6	301519	1	Return Pipe
7	300204	1	Gasket
8	301230	4	Bolt
9	302504	1	Drive Pulley
10	299549	1	Key
11	299550	1	Nut
12	302505	1	Washer
13	300817	1	V-Belt
14	302159	1	M-35 PTO - Pulley Kit
15	302046	3	8mm x 30mm Soc. Hd. Cap. (Mt. 302159)
16	301515	1	Water Pump Pulley (Not Illustrated)



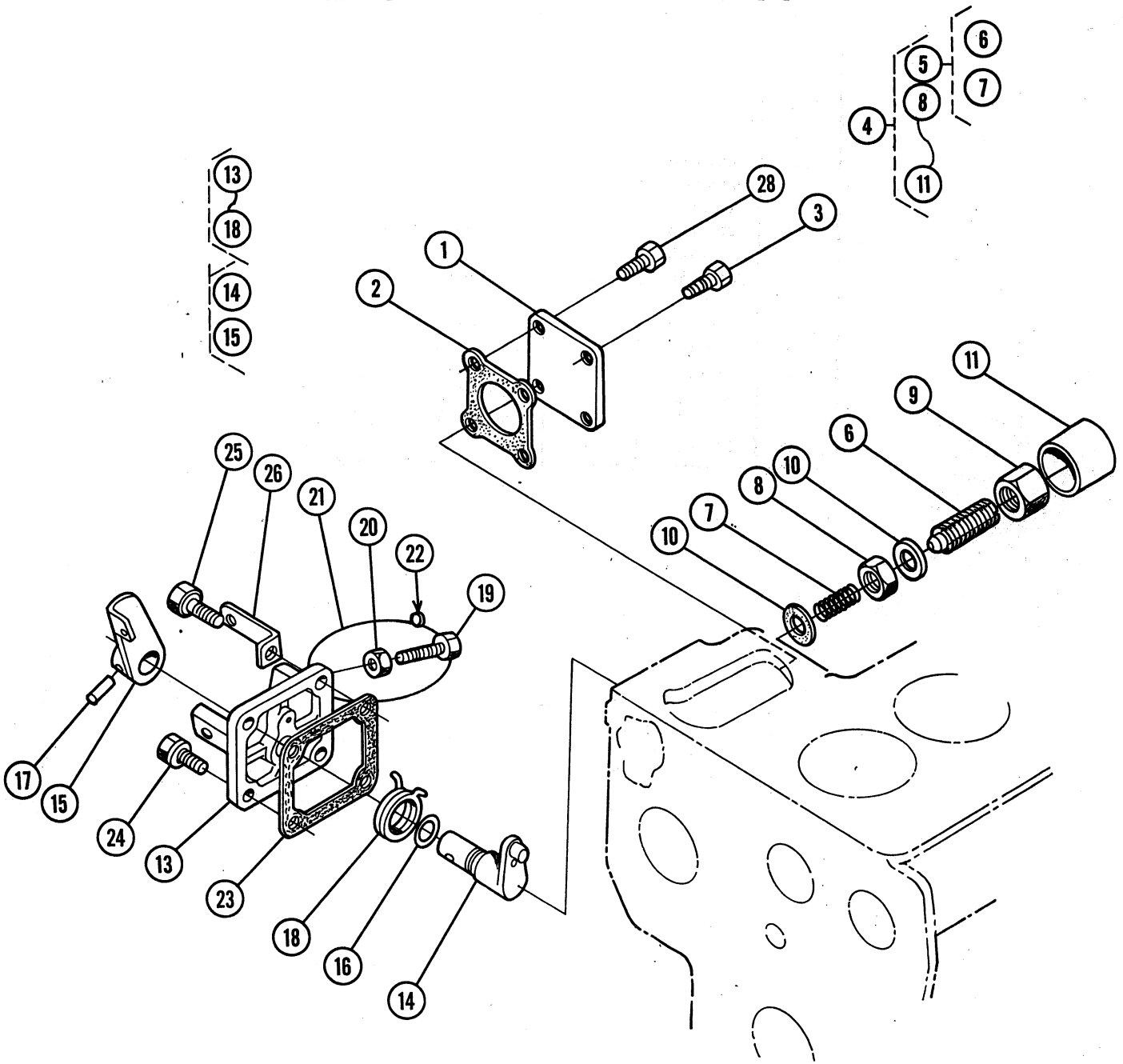
FUEL CAMSHAFT ASSEMBLY



FUEL CAMSHAFT ASSEMBLY

Item	Part No.	Quantity	Name/Description
1	302494	1	Injection Pump
2	299580	1	Shim
3	301785	4	Bolt
4	302495	2	Stud
5	301297	2	Nut
6	299583	2	Lockwasher
7	302496	1	Fuel Camshaft Assembly
8	302497	1	Fuel Camshaft
9	300195	1	Ball Bearing
10	302498	1	Pump Gear
11	299531	1	Key
12	300197	1	Governor Sleeve
13	300198	1	Circle Clip
14	302499	1	Governor Case Ball
15	299533	30	Ball
16	300199	1	Circle Clip
17	299534	8	Ball
18	299535	1	Circle Clip
19	299536	1	Ball Bearing
20	299537	1	Circle Clip
21	300200	1	Camshaft Stopper
22	301330	2	Bolt
23	302500	1	Cover
24	301256	2	Bolt
25	301747	1	Eye Joint
26	302501	1	Injection Pump Shim
27	302502	1	Shim .030
28	300050	1	Bleed Cock Assembly
29	299426	1	Fuel Pump Gasket

ENGINE STOP LEVER ASSEMBLY

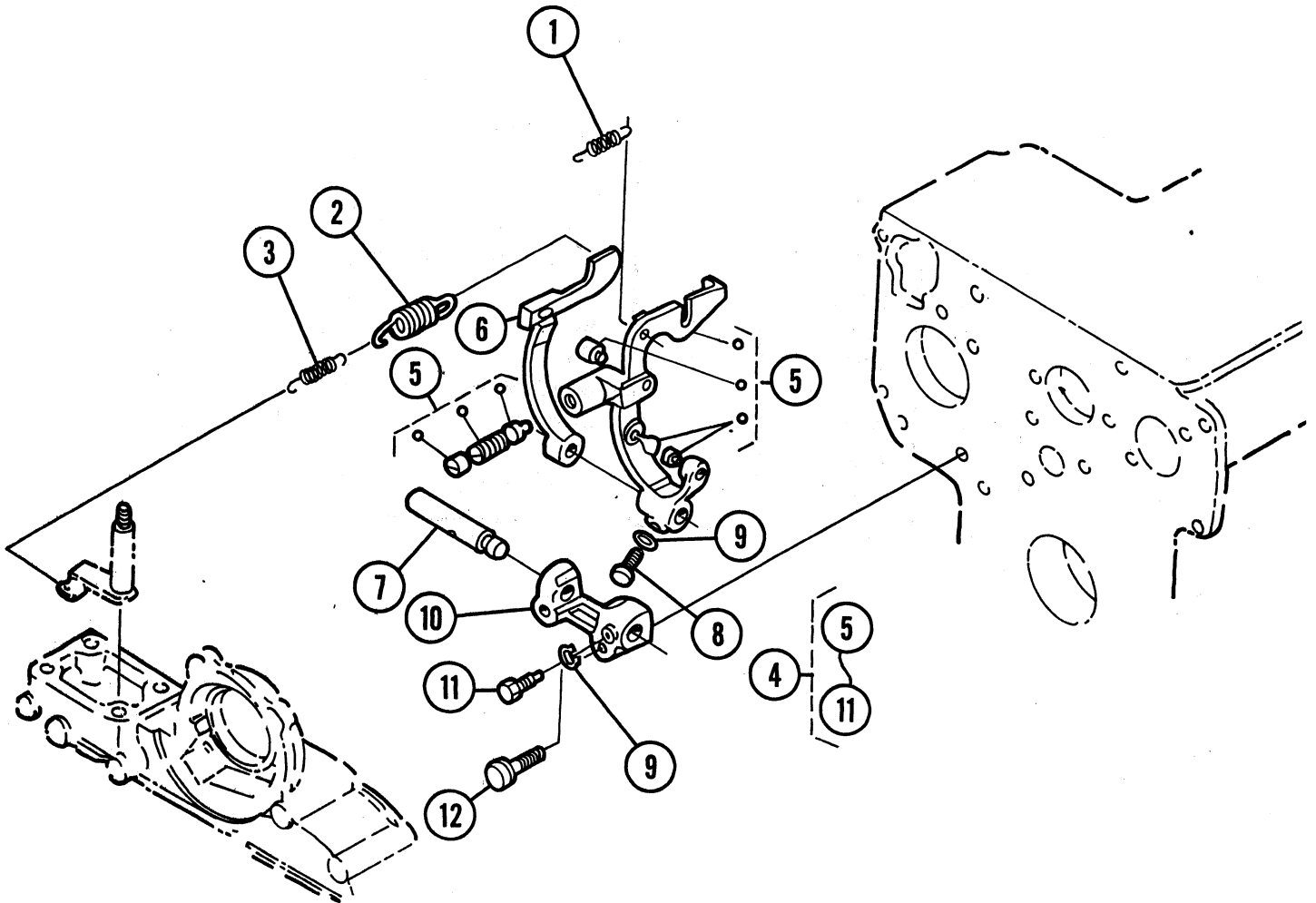


ENGINE STOP LEVER ASSEMBLY

Item	Part No.	Quantity	Name/Description
1	299486	1	Cover
2	299484	1	Pump Gasket
3	299527	3	Bolt
4	300164	1	Idling Apparatus Assembly
5	301492	1	Adjusting Bolt Assembly
6			Order by Item #5 - Adjusting Bolt
7			Order by Item #5 - Spring
8	301493	1	Nut
9	301494	1	Cap Nut
10	301495	2	Gasket
11	301417	1	Cap
12	300229	1	Engine Stop Lever Assembly
13	300173	1	Injection Pump Cover
14			Order by Item #27 - Shaft Lever
15			Order by Item #27 - Engine Stop Lever
16	301496	1	O-Ring
17	301498	1	Spring Pin
18	301499	1	Spring
19	298826	1	Stopper
20	299041	1	Nut
21	Non Sale		Wire
22	Non Sale		Lead Sealing
23	300230	1	Breather Gasket
24	299462	3	Bolt
25	299432	1	Bolt
26	301398	1	Wire Holder
27	301500	1	Lever Shaft Assembly
28	300008	1	Bolt

GOVERNOR ASSEMBLY

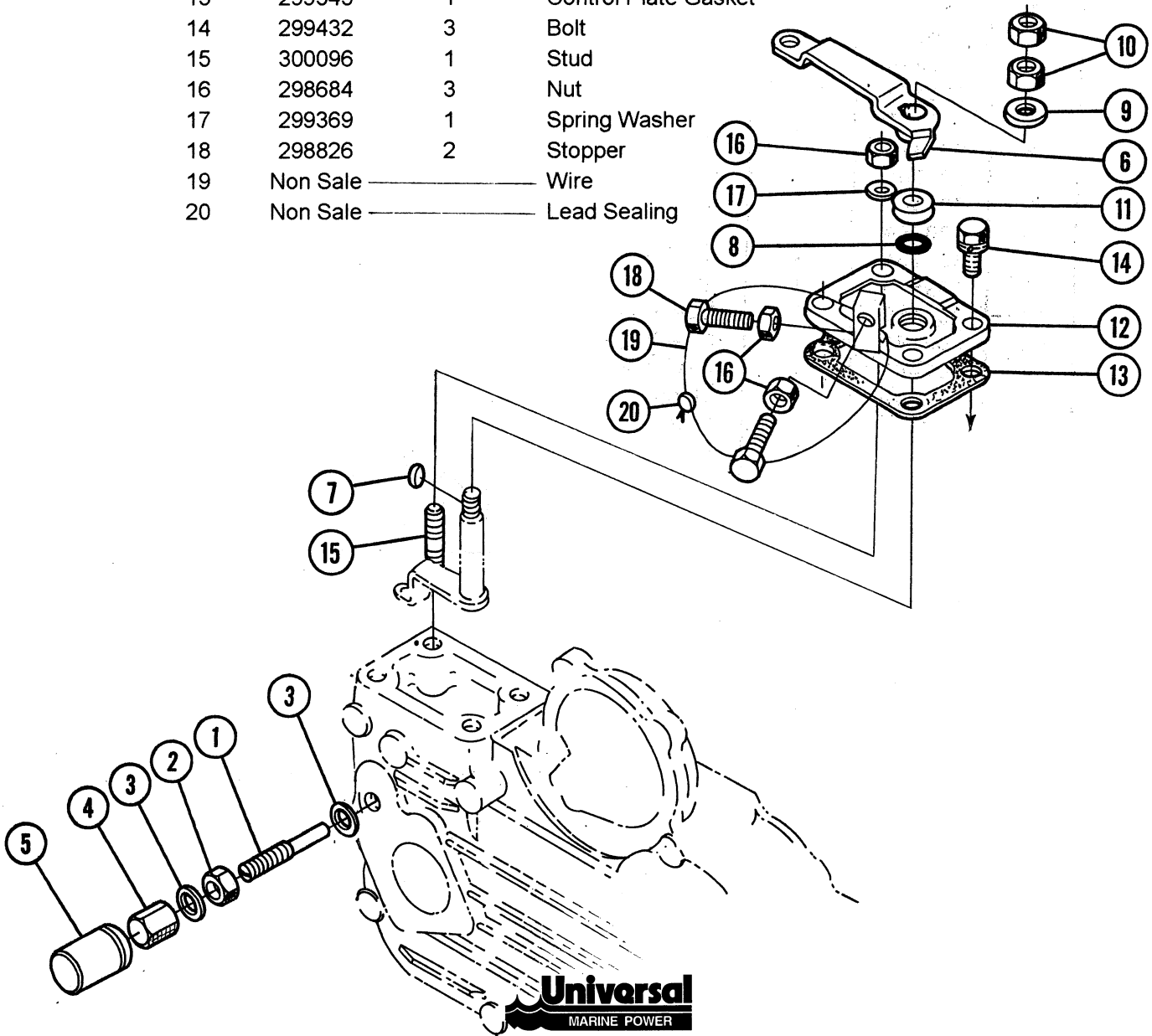
Item	Part No.	Quantity	Name/Description
1	298828	1	Start Spring
2	302488	1	Governor Spring 1
3	302489	1	Governor Spring 2
4	302490	1	Fork lever Assembly
5	302491	1	Fork Lever Complete
6	300184	1	Fork Lever
7	300185	1	Fork Lever Shaft
8	300186	1	Bolt
9	300187	2	Lockwasher
10	300188	1	Fork Lever Holder
11	300189	1	Bolt
12	301601	2	Bolt



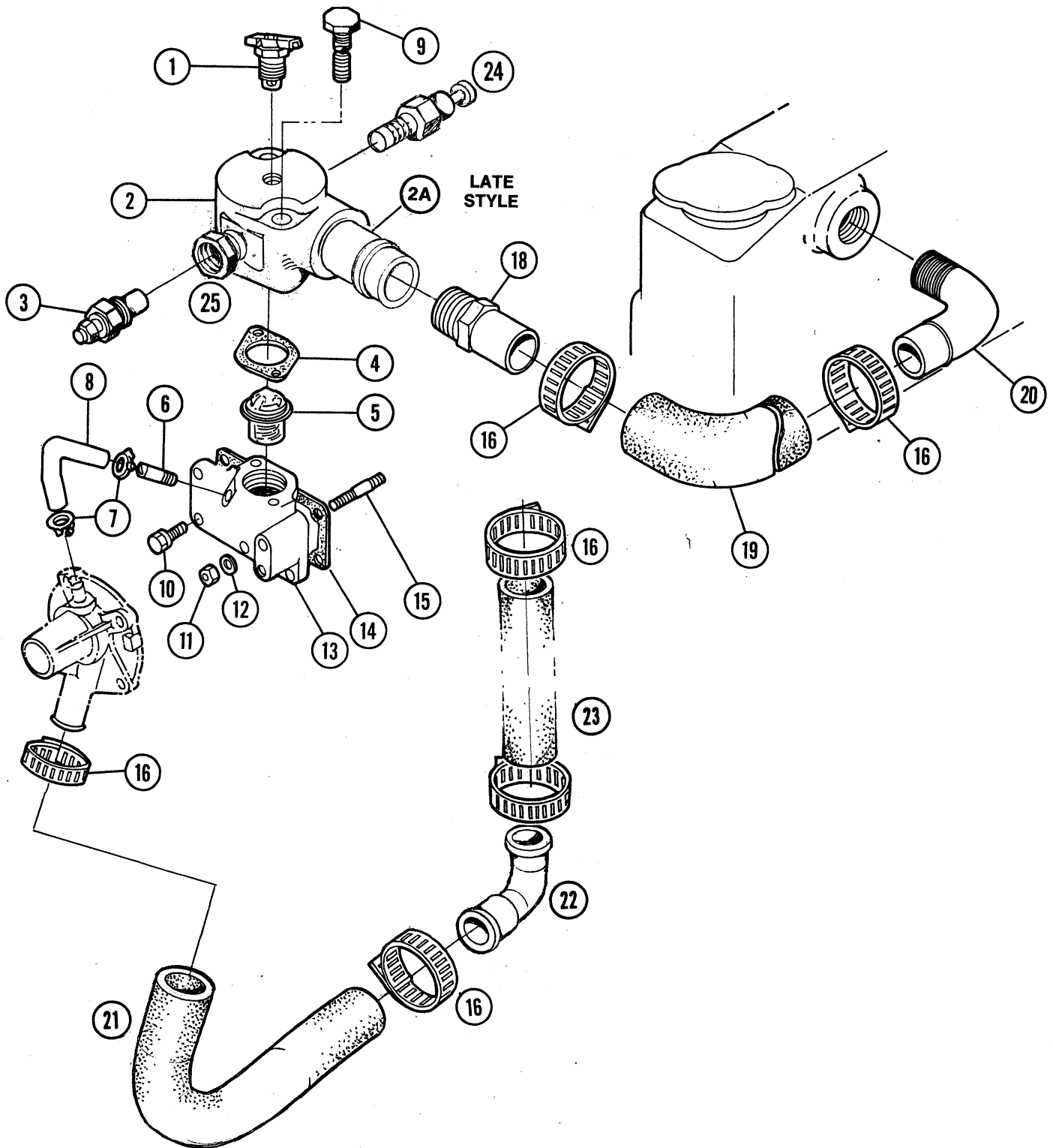
SPEED CONTROL PLATE ASSEMBLY

Item	Part No.	Quantity	Name/Description
------	----------	----------	------------------

1	301501	1	Adjusting Bolt
2	301502	1	Nut
3	301503	2	Gasket
4	301505	1	Cap Nut
5	301505	1	Cap
6	300178	1	Speed Control Lever
7	299540	1	Feather Key
8	299541	1	O-Ring
9	299542	1	Plain Washer
10	299543	2	Nut
11	299544	1	Friction Plate
12	300179	1	Speed Control Plate
13	299545	1	Control Plate Gasket
14	299432	3	Bolt
15	300096	1	Stud
16	298684	3	Nut
17	299369	1	Spring Washer
18	298826	2	Stopper
19	Non Sale		Wire
20	Non Sale		Lead Sealing



WATER FLANGE ASSEMBLY

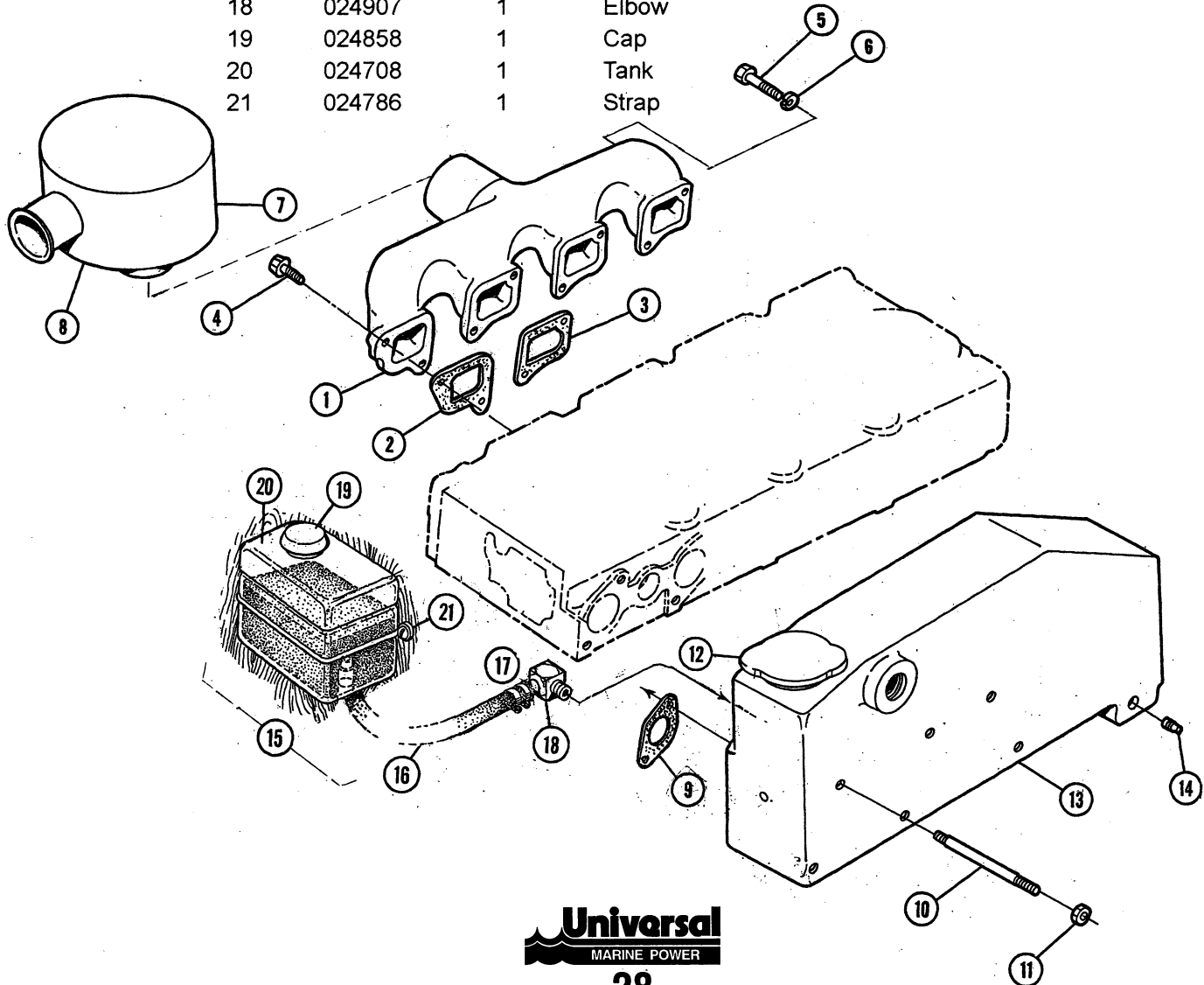


WATER FLANGE ASSEMBLY

Item	Part No.	Quantity	Name/Description
1	239138	1	Petcock
2	300099	1	Thermostat Housing
3	035109	1	Temp Sender (Optional)
4	300237	1	Gasket
5	301358	1	Thermostat
6	302493	1	Water Pipe
7	301397	2	Clamp
8	300236	1	Hose
9	301590	2	Bolt
10	301256	5	Bolt
11	298684	1	Nut
12	299369	1	Lockwasher
13	302492	1	Water Flange
14	30234	1	Gasket
15	301506	1	Stud
16	011386	6	Clamp #12
17	_____	1	Hose
18	286075	1	Hose Adapter
19-1	301428	1	Hose 7/8" ID x 7 1/2 L
19-2	040189	1	Molded Hose
20	298644	1	90° Elbow
21	302086	1	Hose 1' x 90° Molded
22	302150	1	90° Copper Elbow
23	299826	1	Hose 7/8" ID x 22 1/2
24	030125	1	Switch Water Temp Alarm
25	037453	1	Bushing 1/4 NPT - 1/8 NPT

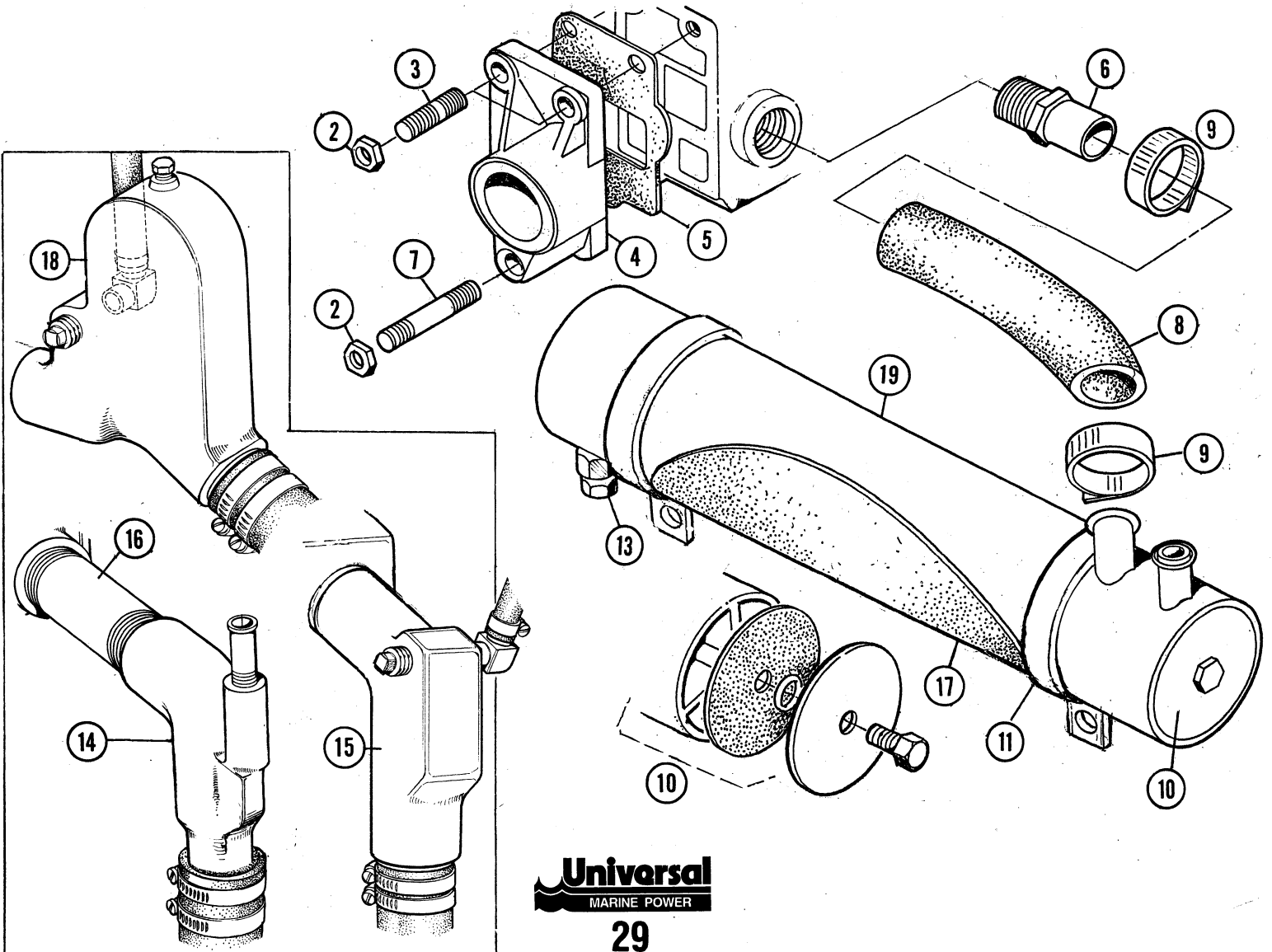
INLET MANIFOLD ASSEMBLY

Item	Part No.	Quantity	Name/Description
1	302451	1	Intake Manifold
2	302452	1	Gasket - 1
3	299431	3	Gasket - 2
4	301230	5	Bolt
5	301244	3	Bolt
6	299369	3	Lockwasher
7	301138	1	Air Filter Assembly
8	301049	1	Filter Element
9	302506	1	Exhaust Manifold Gasket
10	300095	8	Manifold Stud
11	298684	8	Nut
12	024306	1	Filler Cap
13	302092	1	Exhaust Manifold
14	239136	1	Pipe Plug 1/8-27
15	024977	1	Kit — Coolant Recovery Tank
16	024637	60"	Tubing, Inches Required
17	024906	2	Clamp #04
18	024907	1	Elbow
19	024858	1	Cap
20	024708	1	Tank
21	024786	1	Strap

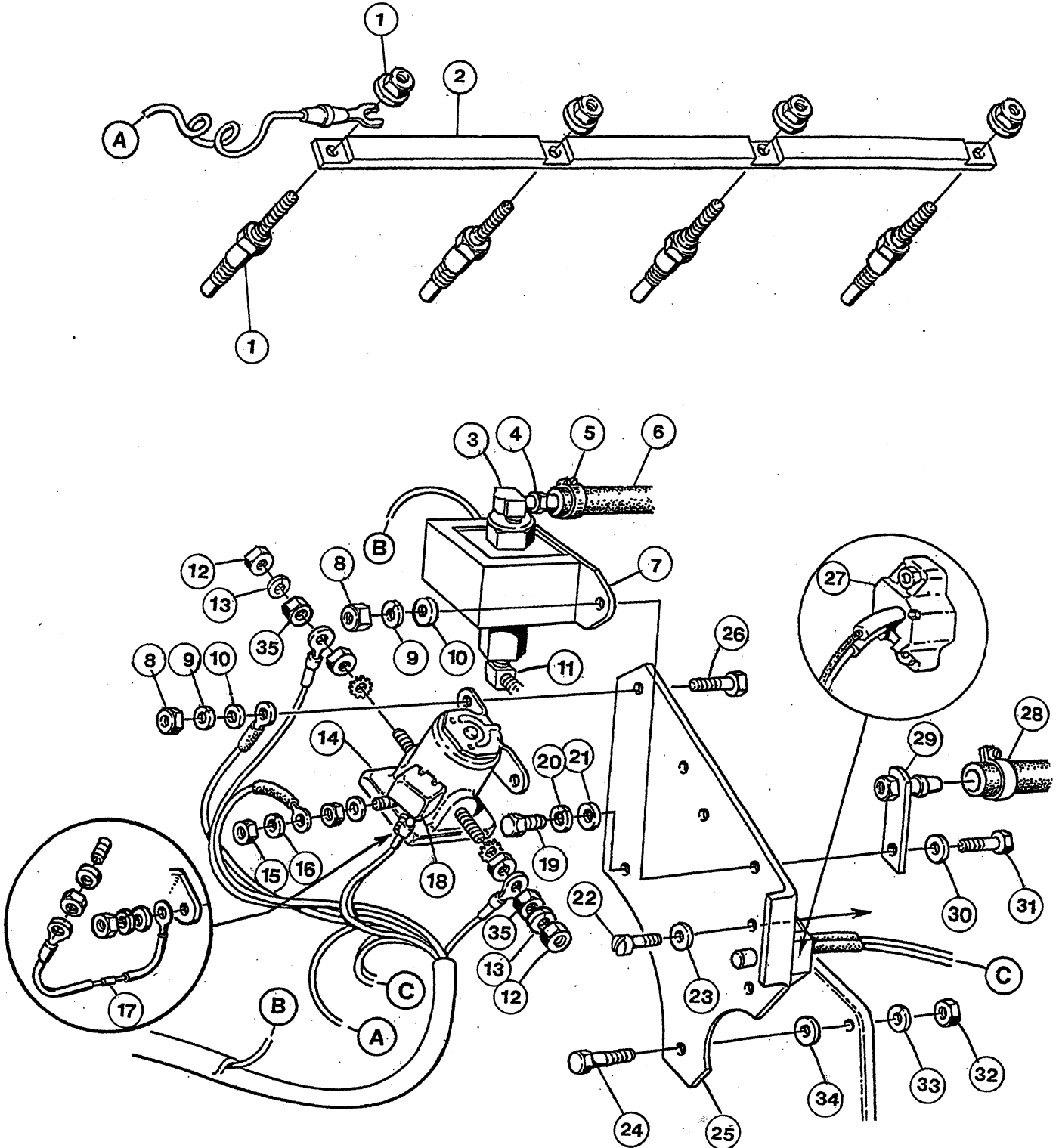


HEAT EXCHANGER ASSEMBLY

Item	Part No.	Quantity	Name/Description
2	230147	3	Nut
3	276440	2	Stud
4	298599	1	Exhaust Flange 1 1/2 NPTF
5	298600	1	Flange Gasket
6	286075	1	Hose Connector
7	298974	1	Stud
8	040412	1	Hose
9	011386	2	Clamp
10	301457	1	End Cap and Gasket
11	046947	2	Mounting Brackets
13	301068	1	Zinc 3/2 NPT x 1 1/2 x 1/2 D
14	200385	1	90° Exhaust Elbow 1 1/2 NPT
15	201049	1	45° Exhaust Elbow 1 1/2 NPT
16	020439	1	1 1/2 NPT Close Nipple
17	303147	1	Exchanger Cushion
18	200384	1	Riser 1 1/2 NPT
19	302631	1	Heat Exchanger



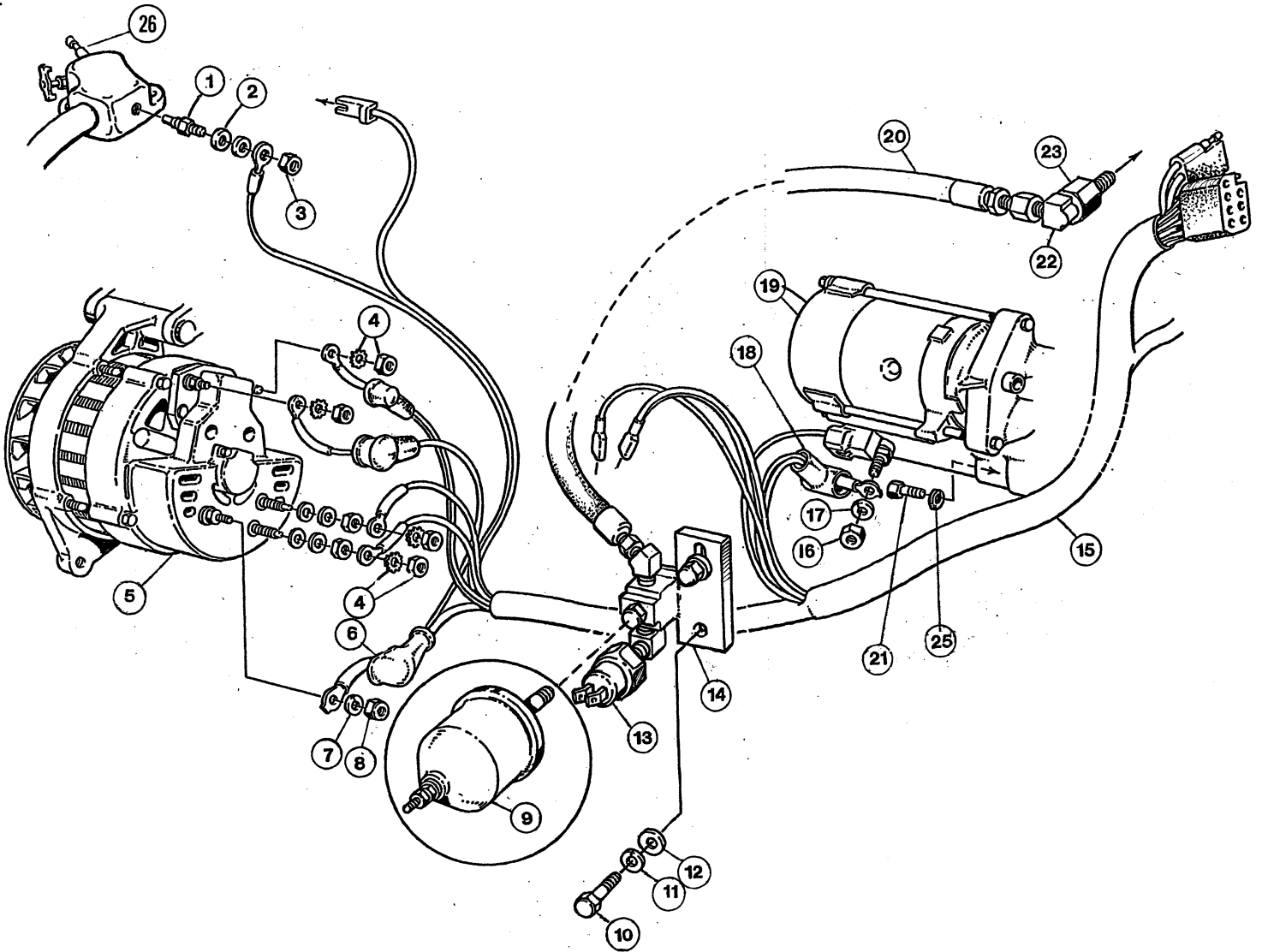
ELECTRICAL SYSTEM



ELECTRICAL SYSTEM

Item	Part No.	Quantity	Name/Description
1-2	301754	4	Glowplug — 12VDC - M-35A
2-2	301309	3	Strap — Glowplug Connecting M-35A
3	022513	1	Elbow — Adapter
4	021485	1	Adapter — 5/16 Tube 1/2-20 Male SW
5	017298	1	Clamp — Hose
6-2	039140	13	Hose — Fuel, 5/16 ID - M-35A. Inches Req.
7	039275	1	Fuel Lift 12VDC
8	031750	4	Nut — Hex, 1/4-20 Med (Steel)
9	031752	4	Lockwasher — Split, 1/4 Med (Steel)
10	031753	4	Washer — Flat, 1/4 SAE (Steel)
11	013340	1	Elbow — 1/8 NPT 90° Street (Brass)
12	031760	2	Nut — 5/16 - 24 NF Hex (Steel) Zinc
13	031758	2	Lockwasher — Split, 5/16 Med (Steel)
14	024639	1	Solenoid — Preheat 12VDC
15	031847	2	Nut — Hex, 10-32 Machine (Stainless)
16	031849	2	Lockwasher — Split, 10 Med (Stainless)
17	039806	1	Resistor — Assembly, Propulsion Alarm
18	036563	1	Breaker — Circuit, 10 Amp
19	024955	1	Capscrew — M 10x1.25x45 DIN 960
20	019262	1	Lockwasher — M 10 DIN 127
21	031789	1	Washer — M 10 DIN 125
22	043480	2	Screw — Hex Washer HD, 8-32x7/8 SS
23	031843	1	Washer — Flat, 8 SS AN960
24	018811	1	Capscrew — M 8x40 DIN 931
25	200258	1	Bracket — Solenoid Breaker Pump
26	031503	3	Capscrew — 1/4 NC x 3/4
27	024683	1	Breaker — Circuit, 20 Amp, 12VDC
28	040384	1	Clamp — Hose, Mini
29	299830	1	Connector — Fuel Return Assembly
30	031753	1	Washer — Flat, 1/4" SAE (Steel)
31	031505	1	Capscrew — 1/4 NC x 1"
32	018242	1	Nut — M 8 DIN 934
33	031786	1	Lockwasher — M 8 DIN 127
34	042225	2	Spacer
35	031760	2	Nut — Hex 5/16 NF (Steel Zinc)

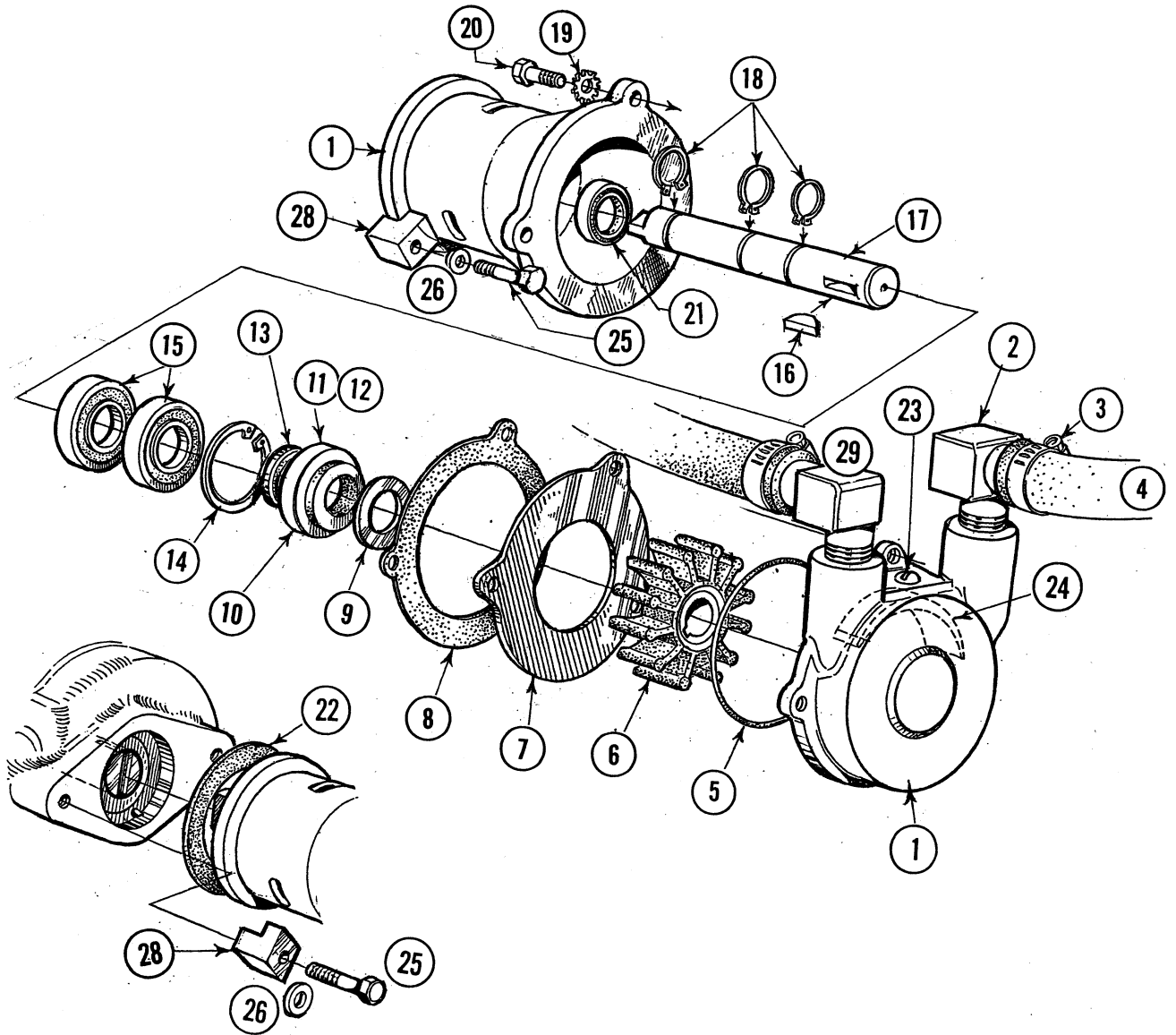
ELECTRICAL SYSTEM



ELECTRICAL SYSTEM

Item	Part No.	Quantity	Name/Description
1	035109	1	Sender — Water Temperature
2	031849	1	Lockwasher — 10
3	031847	1	Nut — 10-32
4	031904	4	Nut — 10-24, KEPS (Stainless)
5-1	041017	1	Alternator — 12VDC, 51A
5-2	056094	1	Alternator — 12VDC, 65A W/AC Tap
6-1	303109	2	Boot — Alternator
6-2	034472	1	Boot — Terminal (<i>not shown</i>)
7	031752	1	Lockwasher — Split 1/4 Med (Steel)
8	031750	1	Nut — HEX, 1/4-20 MED (Steel)
9	024132	1	Sender — Oil Pressure, 12VDC, 100 PSI
10	024951	2	Capscrew — M 10 x 1.25 x 20 DIN 961
11	019262	2	Lockwasher — M 10 DIN 127
12	031789	2	Washer — M 10 DIN 125
13	037323	1	Switch — Oil Pressure, NO. 5
14	032480	1	Bracket — Oil Pressure Sender
15-1	200260	1	Harnesss — Marine
15-2	200268	1	Harnesss — Marine, Catalina Option
16	018242	1	Nut — M 8 DIN 934
17	031786	1	Lockwasher — M 8 DIN 127
18	303107	1	Boot — Starter
19	302474	1	Motor — Starter, M-35A
20	039385	1	Hose — Oil
21	013619	2	Capscrew — M 8 x 30 DIN 933
22	015122	1	Elbow — 1/8 NPT to 45 Deg Street (Steel)
23	024844	1	Adapter — 1/8 BSPT to 1/8 NPT
25	031786	2	Lockwasher — M 8 DIN 127
26	030125	1	Switch — Water Temperature Alarm

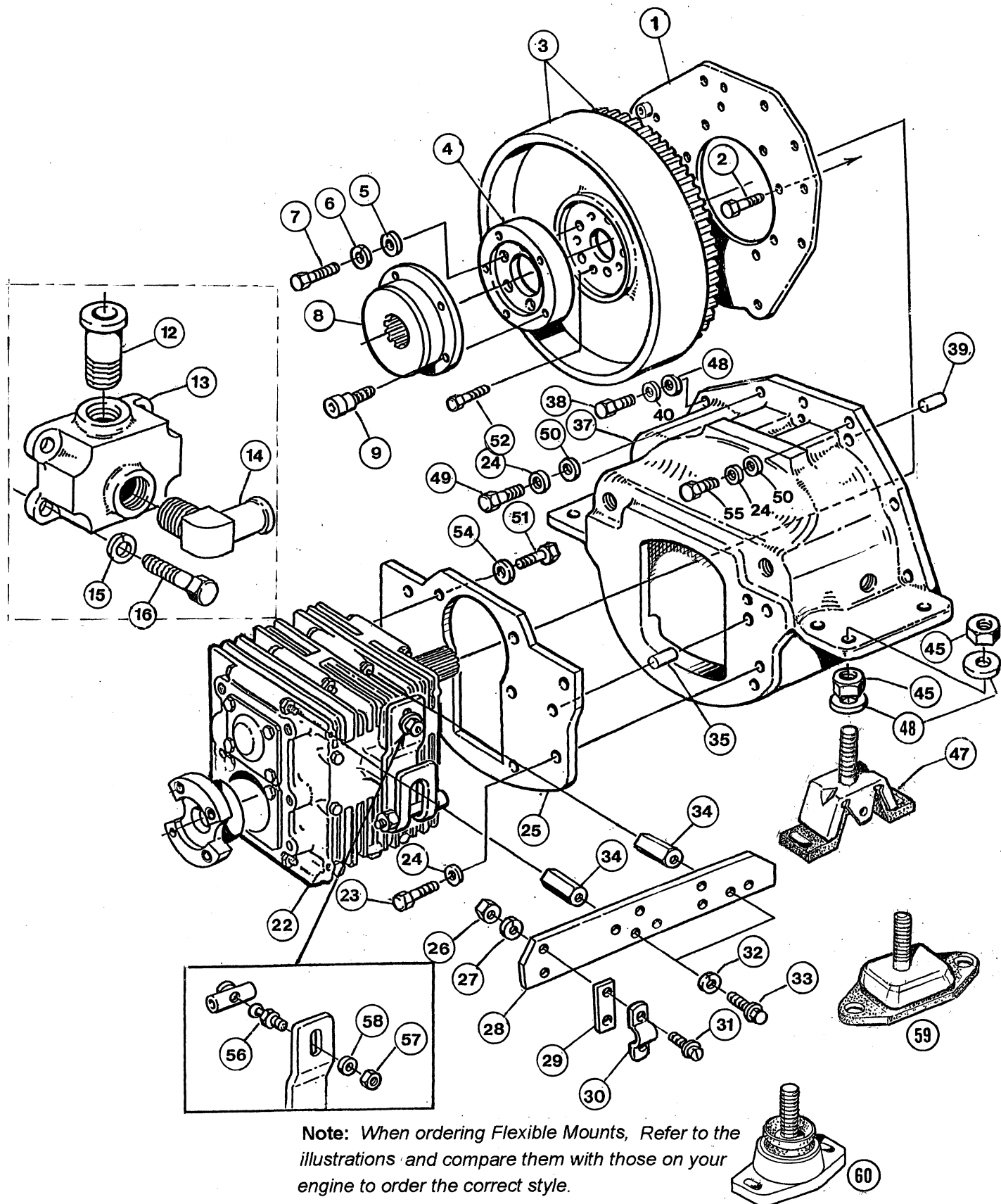
RAW WATER PUMP



RAW WATER PUMP

Item	Part No.	Quantity	Name/Description
1	042175	1	Pump — Raw Water, Includes Ref #s 6-20
2	030183	1	Elbow — 1/2 NPT x 7/8 Hose 90°
3	011386	1	Clamp — Hose 12
4	019059	26	Hose — 7/8" Wire Inserted - Inches Required
5	302877	1	O-Ring
6	200175	1	Impeller Kit — Includes Ref #s 5,6 & 8
7	302878	1	Plate — Pump End
8	302879	1	Gasket — Pump
9	302876	1	Washer — Flat
10	302885	1	Seal — Pump, Assembly
11	302880	1	Seat — Seal
12	302881	1	Seal — Water Pump
13	302866	1	Slinger — Pump
14	018146	1	Ring — Retaining (Internal)
15	302884	2	Bearing — Ball
16	302874	1	Key — Woodruff #61
17	200536	1	Shaft — Water Pump
18	018145	3	Ring — Retaining (External)
19	032183	3	Lockwasher — 14"
20	018145	3	Capscrew — Impeller Cover
21	303172	1	Seal — Pump
22	302872	1	Gasket — Raw Water Pump Mount
23	302871	1	Screw — Cam
24	302872	1	Cam — Pump
25	020628	2	Capscrew — M 6x25 Din 933
26	031783	2	Lockwasher — M 6 Din 127
28	302680	2	Clamp "L"
29	302217	1	Elbow — 1/2 NPT x 5/8 Hose, 90°
30	200176	1	Pump Kit — Rebuild

BELL HOUSING AND TRANSMISSION



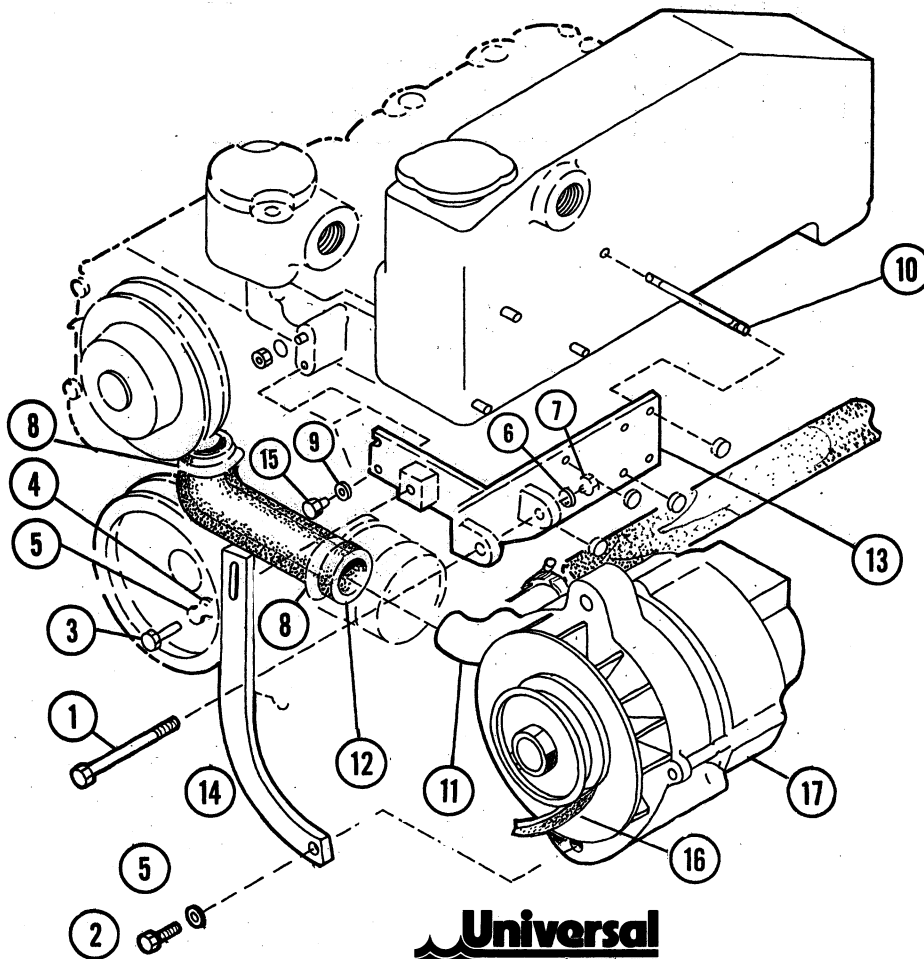
Note: When ordering Flexible Mounts, Refer to the illustrations and compare them with those on your engine to order the correct style.

BELL HOUSING AND TRANSMISSION

Item	Part No.	Quantity	Name/Description
1	299508	1	Plate — Back End
2	300172	8	Bolt — Plate
3	302471	1	Flywheel — Assembly
4	302245	1	Adapter — Damper Plate Mounting
5	031789	6	Washer — M 5 DIN 124
6	031780	6	Lockwasher — M 5 DIN 127
7	024952	6	Capscrew — M 5 x 12 DIN 912
8	298454	1	Damper
9	298458	5	Capscrew — 5 M x 12, Damper
12	036622	1	Nipple — Hose 3/4 NPT to 1
13	040036	1	Cooler — HBW Transmission - Optional
14	036614	1	Elbow — Hose 3/8 NPT to 1
15	031786	4	Lockwasher — M 8 DIN 127
16	017196	4	Capscrew — M 8 x 20 DIN 933
22-1	024630	1	Transmission — 1.8:1 HBW 100-2R M-35A
22-2	299942	1	Transmission — 2.1:1 HBW 150V-2R - V-Drive Option
23	013629	4	Capscrew — M 10 x 25 DIN 933
24	019262	8	Lockwasher — M 10 DIN 127
25-1	200333	1	Adapter — HBW 35-150
25-2	200371	1	Adapter — HBW 150V - V-Drive Option
26	031847	2	Nut — HEX, 10-32 Machine (Stainless)
27	031849	2	Lockwasher — Split, 10 MED (Stainless)
28	032161	1	Bracket — Shift Cable
29	013870	1	Shim — Cable Clamp
30	013325	1	Clamp — Cable
31	031873	2	Screw — 10-32 x 5/8 (Stainless)
32	031786	2	Lockwasher — M 8 DIN 127
33	013630	2	Capscrew — M 8 x 25 DIN 933
34	030756	2	Nut — Pillar, M 8 x 1.24
35	019039	2	Dowel — 2
36	021558	1	Capscrew — M 8 x 28 DIN 931
37	200365	1	Housing — Flywheel
38	298539	8	Capscrew — M 8 x 28 DIN 933
39	301037	2	Dowel
40	031786	22	Lockwasher — M 8 DIN 127
45	018242	1	Nut — M 8 DIN 934
47	040510	2	Isolator — Marine 75-130 Lb.
48	031787	15	Washer — M 8 DIN 125
49	024953	1	Capscrew — M 10 x 1.25 x 35 DIN 961
50	031789	2	Washer — M 10 DIN 125
51-1	020650	6	Capscrew — M 8 x 18 DIN 933
51-2	018813	6	Capscrew — M 10 x 20 DIN 933
52	302473	5	Bolt — Flywheel
53	021558	1	Capscrew — M 8 x 35 DIN 933
54-1	031786	6	Lockwasher — M 8 DIN 127
54-2	019262	6	Lockwasher — M 10 DIN 127
55	024955	1	Capscrew — M 10 x 1.25 x 45 DIN 960
56	033482	1	Balljoint — Shift Cable
57	031754	1	Nut — 1/4 NF
58	031752	1	Lockwasher — 1/4
59	032103	2	Isolator — Marine 40 DUR 5/8 Stud
60	036339	2	Isolator — Marine 45 DUR M16 Stud

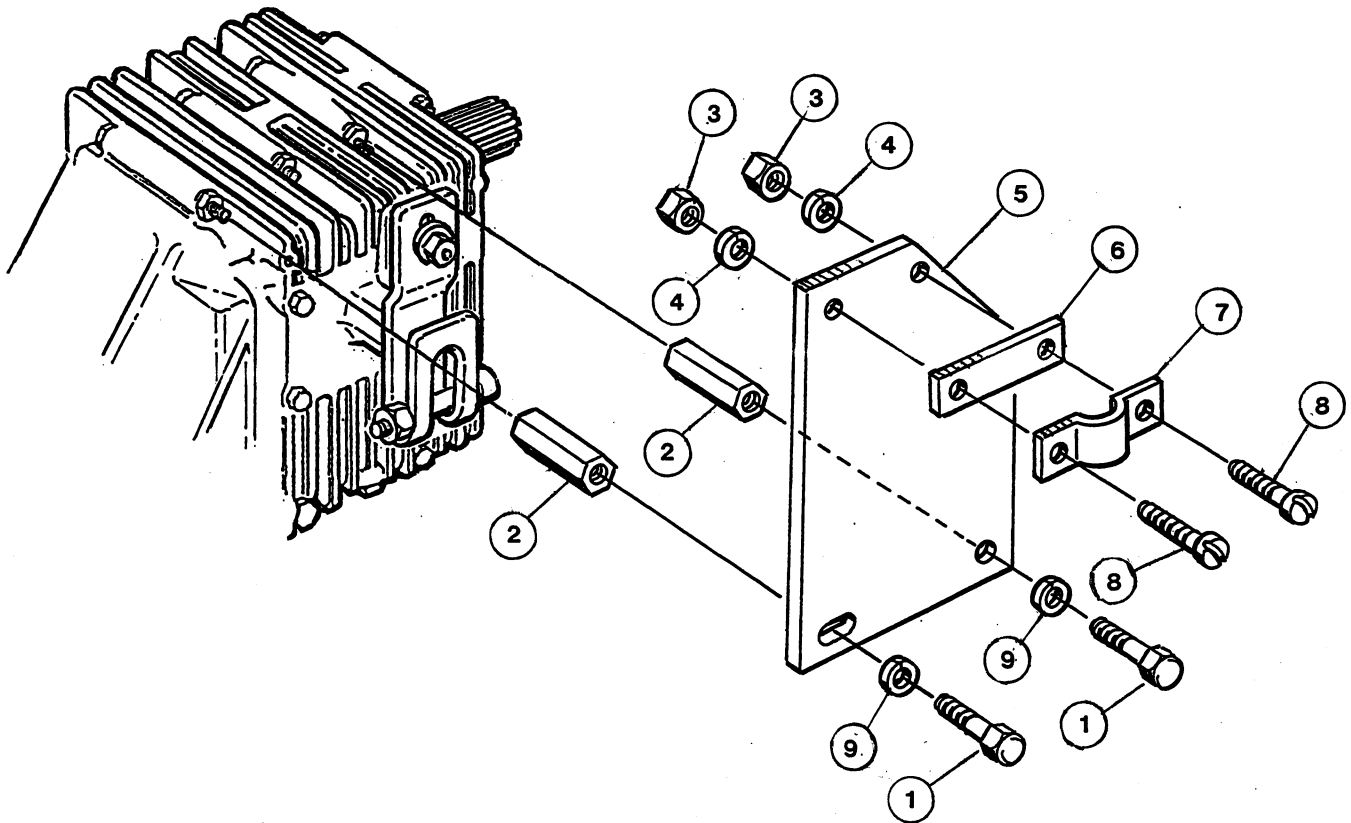
ALTERNATOR ASSEMBLY

Item	Part No.	Quantity	Name/Description
1	010377	1	Hex Head Cap Screw
2	015250	1	Hex Head Cap Screw
3	015251	1	Hex Head Cap Screw
4	015386	1	Washer
5	015395	2	Lockwasher
6	015396	1	Lockwasher
7	015419	1	Nut
8	011386	3	Hose Clamp
9	299033	1	Lockwasher
10	300095	4	Stud
11	302150	1	Elbow
12	302086	1	Hose
13	302087	1	Alternator Mount
14	302088	1	Adjusting Arm
15	302089	1	Hex Head Cap Screw
16	300817	1	V-Belt
17	042848	1	12V 51 Amp Alternator
17A	056095	1	12V 65 Amp Alternator
18	011548	1	Pulley - Alt 042848

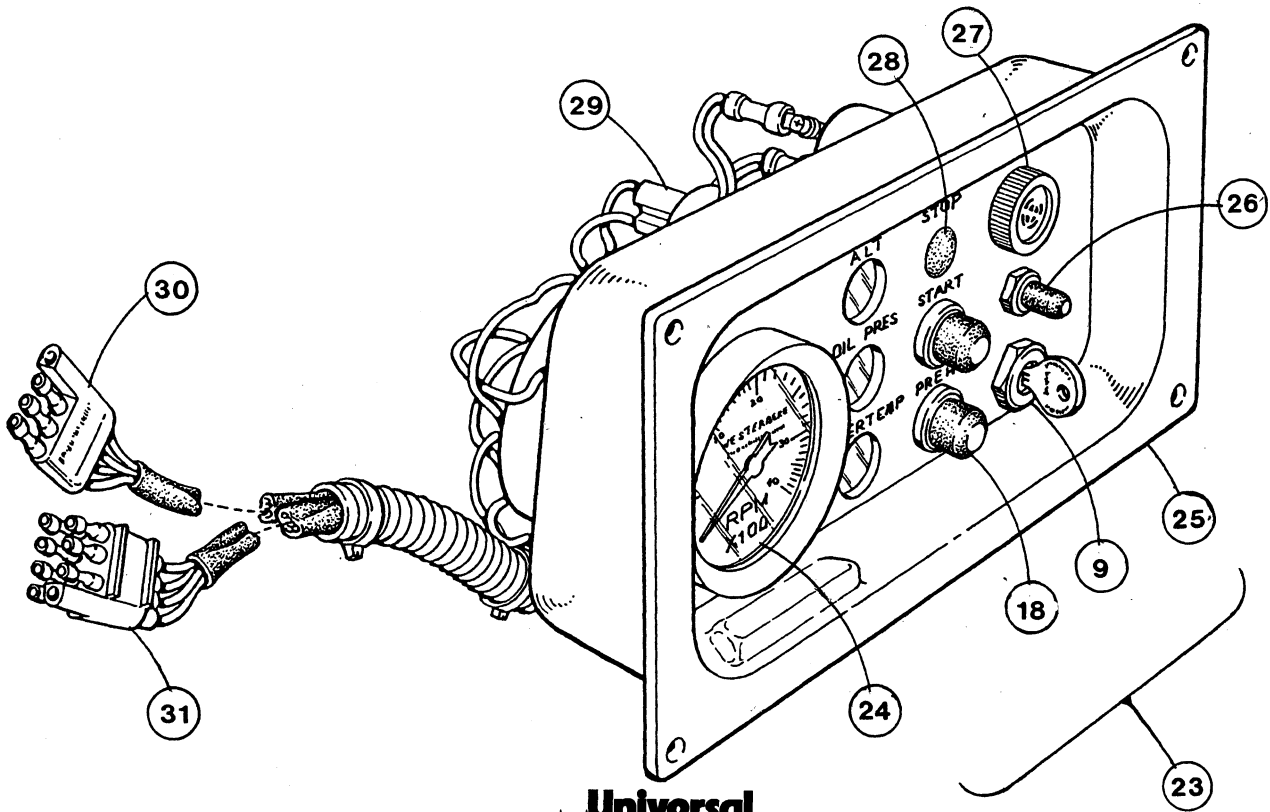
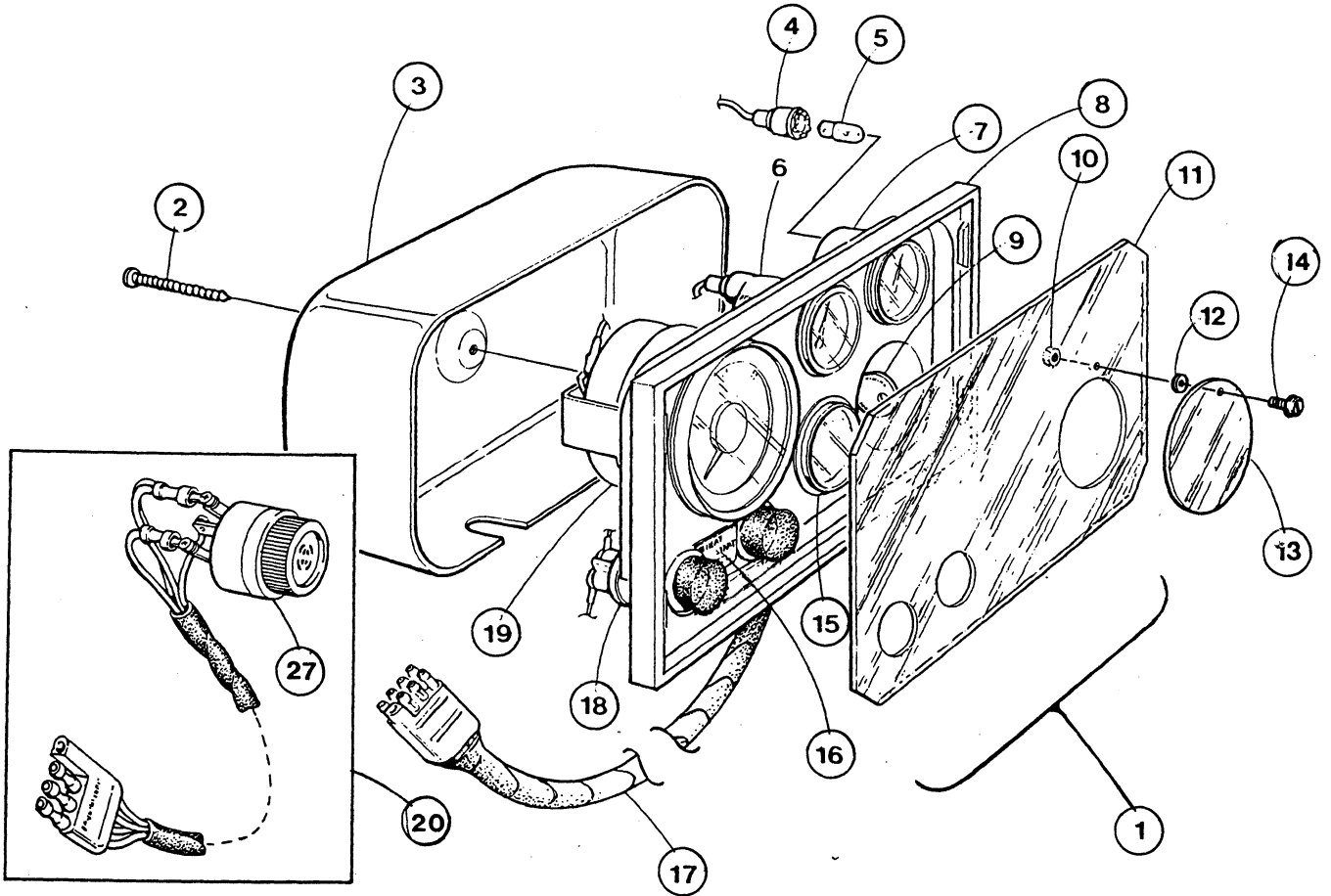


TRANSMISSION HBW VERTICAL SHIFTING BRACKET

Item	Part No.	Quantity	Name/Description
1	013630	2	Capscrew — M 8 x 25 DIN 933
2	030756	2	Nut — Pillar, M 8 x 1.25
3	031847	2	Nut — Hex, 10-32 Machine (Stainless)
4	031849	2	Lockwasher — Split, 10 Med (Stainless)
5	030181	1	Bracket — Shift Cable Top Entry HBW Gear
6	013870	1	Shim — Shift Cable Clamp Bottom
7	013325	1	Clamp — Shift Cable
8	031873	2	Screw — 10-32 x 5/8 (Stainless)
9	031786	2	Lockwasher — M 8 DIN 127



INSTRUMENT PANELS

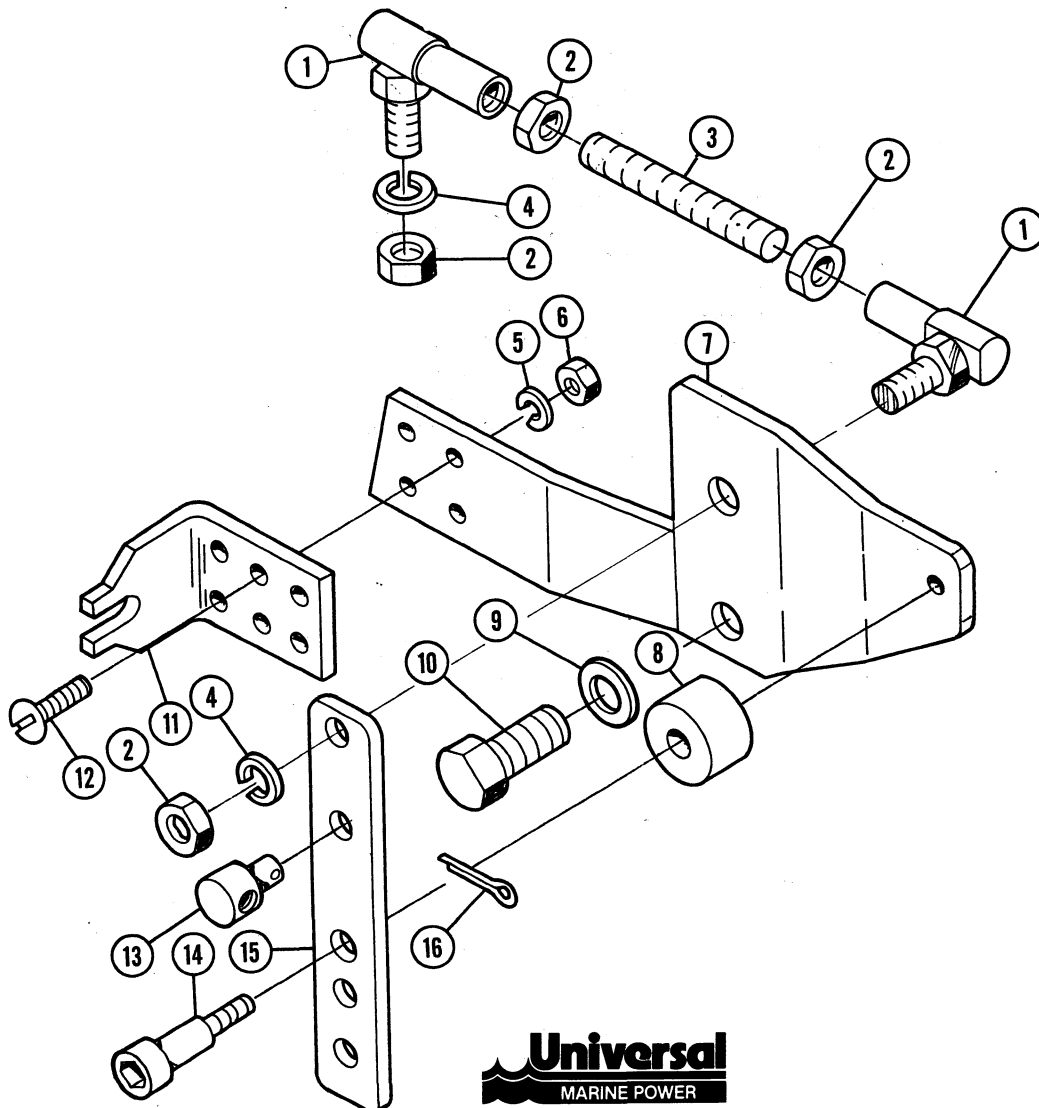


INSTRUMENT PANELS

Item	Part No.	Quantity	Name/Description
1	200350	1	Panel — Admiral w/Alarm and Senders
2	030913	1	Screw — Slotted Pan Head 10 x SS
3	030119	1	Cover — Panel Rear
5	042893	3	Lamp — Instrument 12 VDC Incl. Holder
6	037601	1	Meter — Water Temperature
7	037603	1	Meter — Oil Pressure
8	039827	1	Panel — Plate
9	033693	1	Keyswitch — Off/On
10	030003	1	Nut — Nylon Locking 6-32
11	033684	1	Cover — Faceplate
12	030002	1	Spacer — Nylon
13	024996	1	Window — Keyswitch Cover
14	030002	1	Screw — Nylon 6-32 x 1/2 Washer HD
15	037605	1	Voltmeter — 12 VDC
16	033682	1	Decal — Switch Identification
17	030148	1	Cable — Panel to Engine 8 PIN
18-1	033764	2	Switch — Pushbutton Start/Preheat
18-2	01903	2	Cap — Switch Cover Replacement
19	011917	1	Meter — Tachometer-Hour
20	036829	1	Alarm — Assembly
21	035825	3	Wire — Power to Meter Lamps
22	039144	1	Diagram — Wiring Engine
23	200362	1	Panel — Captain
24	036590	1	Meter — Tachometer
25	039828	1	Panel — Plate
26-1	036479	1	Switch — Test
26-2	036490	1	Cap — Switch
27	013355	1	Buzzer — Alarm
28	030946	1	Plug — Nylon
29-1	024947	3	Lamp — 12 VDC
29-2	036483	3	Holder — Lamp
30	036626	1	Harness — Panel to Engine 4 PIN
31	036627	1	Harness — Panel to Engine 8 PIN
32	036477	1	Terminal-Diode — Assembly
33	038049	2	Spacer — Terminal-Diode Assembly
34	039769	1	Plate — Unicorsal Logo
35	200360	1	Diagram — Wiring Engine, Catalina
36	036630	1	Drawing — Template to Install Either Panel

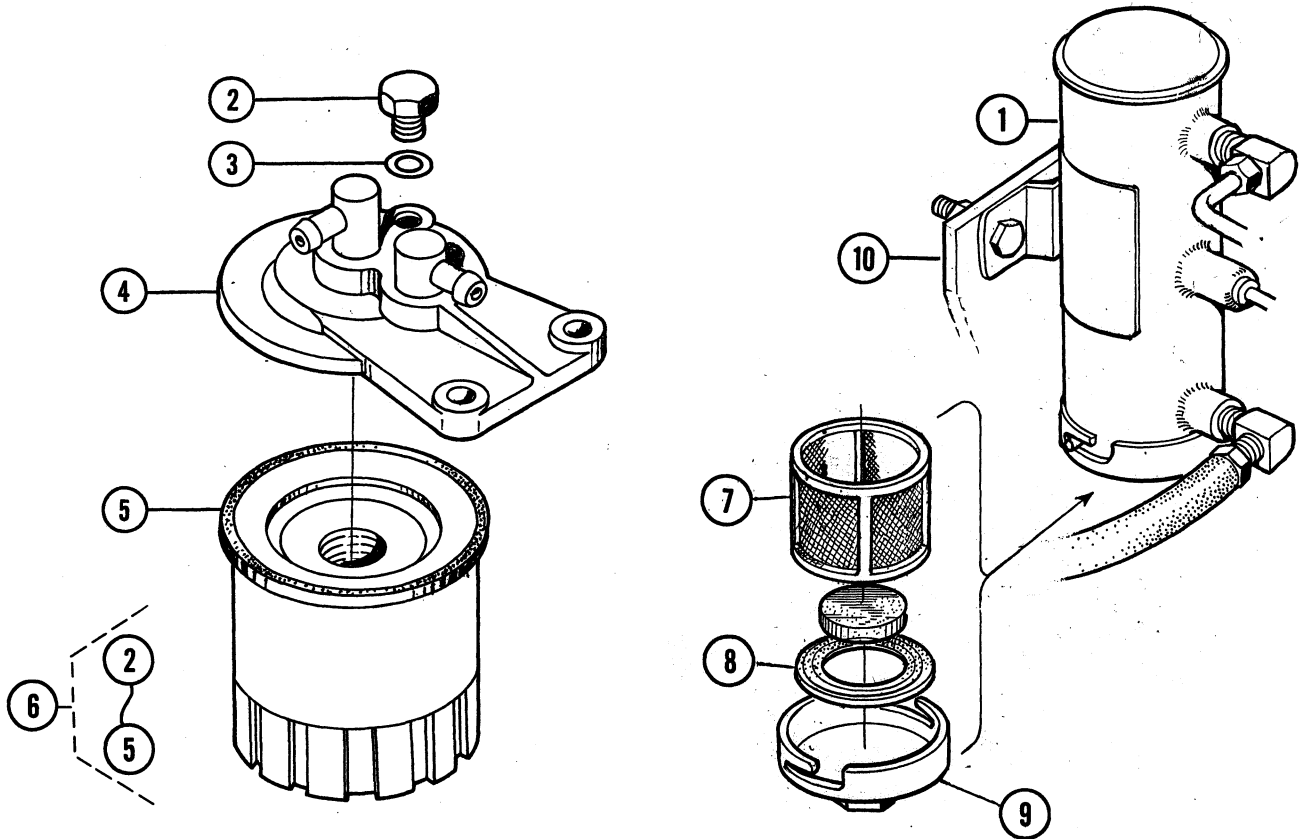
THROTTLE BRACKET ASSEMBLY

Item	Part No.	Quantity	Name/Description
1	299676	2	Ball Joint
2	230184	4	Jam Nut
3	299792	1	Adjusting Rod
4	231907	2	Lockwasher
5	231890	2	Lockwasher
6	294581	3	Nut
7	300958	1	Throttle Bracket
8	300090	1	Lever Spacer
9	231906	2	Lockwasher
10	299290	2	Hex Head Cap Screw
11	298630	1	Cable Clip
12	231211	2	Round Head Machine Screw
13	299019	1	Throttle Cable Pivot
14	231452	1	Socket Head Shoulder Bolt
15	300826	1	Throttle Lever
16	230281	1	Cotter Pin



FUEL FILTER ASSEMBLY'S

Item	Part No.	Quantity	Name/Description
1	301385	1	Electric Fuel Pump
2	299855	1	Bleeder Bolt
3	299856	1	O-Ring
4	301602	1	Filter Cover
5	298854	1	Fuel Filter
6	298853	1	Fuel Filter Assembly
7	300128	1	Fuel Pump & Filer Gasket
8	299639	1	Cover Gasket
9	299803	1	Cover
10	302244	1	Fuel Filter Bracket



MISCELLANEOUS/OPTIONAL EQUIPMENT

Item	Part No.	Quantity	Name/Description
1	256913	1	Kit A — M-35A, Spare Parts
2-2	256902	1	Kit B — M-35A Extended Cruise
3-3	256931	1	Gasket Set — Upper - M-35A
4-1	256932	1	Gasket Set — Complete - M-35A
7	033327	1	Valve — Anti-Siphon
8	302981	1	Paint — Blue Aerosol Spray Can
9	201016	1	Kit — Fuel Hardware
10-1	030760	1	Harness — 15 Ft. Panel Extension 8 PIN
10-2	036557	1	Harness — 15 Ft. Panel Extension 4 PIN
11	040078	1	Filter Kit — Remote Lube Oil
13	200494	1	Manual — Operator - Universal "A" Series
14	200155	1	Manual — Service M12 - M35
15	024177	1	Kit — Remote Fresh Water Surge Tank
16	256971	1	Kit — Electric Shut-Off

Product Software Disclaimer

Product software of all kinds, such as brochures, drawings, technical data, operator's and workshop manuals, parts lists and other information, instructions and specifications provided from sources other than Universal/Westerbeke is not within Universal/Westerbeke's control and, accordingly, is provided to Universal/Westerbeke customers as a courtesy and service. Universal/Westerbeke cannot be responsible for the content of such software, makes no warranties or representations with respect thereto, including the accuracy, timeliness or completeness thereof, and will in no event be liable for any type of damages or injury incurred in connection with, or arising out of, the furnishing or use of such software.

For example, components and sub-assemblies incorporated in Universal/Westerbeke's products and supplied by others (such as engine bolts, fuel systems and components, transmissions, electrical components, pumps and other products) are generally supported by their manufacturers with their own software and Universal/Westerbeke must depend on such software for the design of product software. Such software may be outdated and no longer accurate. Routine changes made by suppliers, of which Universal/Westerbeke rarely has notice in advance, are frequently not reflected in the supplier's software until after such changes take place.

Universal/Westerbeke customers should also keep in mind the time span between printings of product software and the unavoidable existence of earlier, non-current software editions in the field. Additionally, most Universal/Westerbeke products include customer requested special features that frequently do not include complete documentation.

In summation, product software provided with Universal/Westerbeke products, whether from Universal/Westerbeke or other suppliers, must not and cannot be relied upon exclusively as the definitive authority on the respective product. It not only makes good sense but is imperative that appropriate representatives of Universal/Westerbeke or the supplier in question be consulted to determine the accuracy and currency of the product software being consulted by the consumer.



